

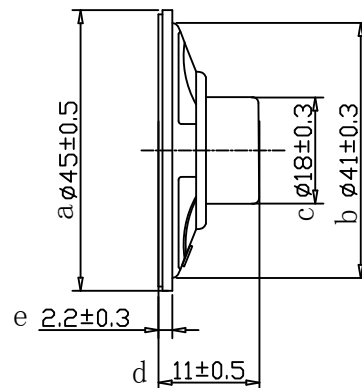
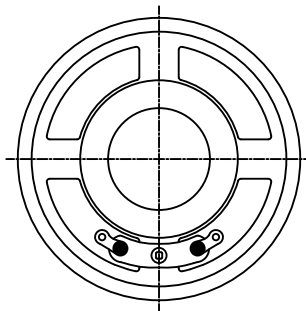
UNIVERSAL

UNIVERSAL (CHANGZHOU) ELECTRONICS CO., LTD

SPECIFICATION SHEET

Model	YGD45N-18M-8A
Power (Nominal)	0.5Watts
Power (Maximum)	1.0Watts
Impedance	$8 \pm 15\%$ ohms
Resonant Frequency	$650 \pm 20\%$ Hz
Sound Pressure Level 1W, 1m Average at 0.8, 1.0, 1.2, 1.5KHz	85 ± 3 dB
Frequency Range	f _o -10 KHz
Magnet Materials:Nd-Fe-B	ϕ 12X2mm
Operating Temperature Range	-30° to +60° C
Storage Temperature	-30° to +70° C
Weight	g \pm 5%

DIMENSIONS unit: mm



UNIVERSAL

YGD45N-18M-8A

Page 1/1

	NAME	DATE				
Drawing by	Wang Menghua	25.12.01				
Checked by	TANHELIN	25.12.01				
Approved by	TANHELIN	25.12.01				

UNIVERSAL (CHANGZHOU) ELECTRONICS CO., LTD