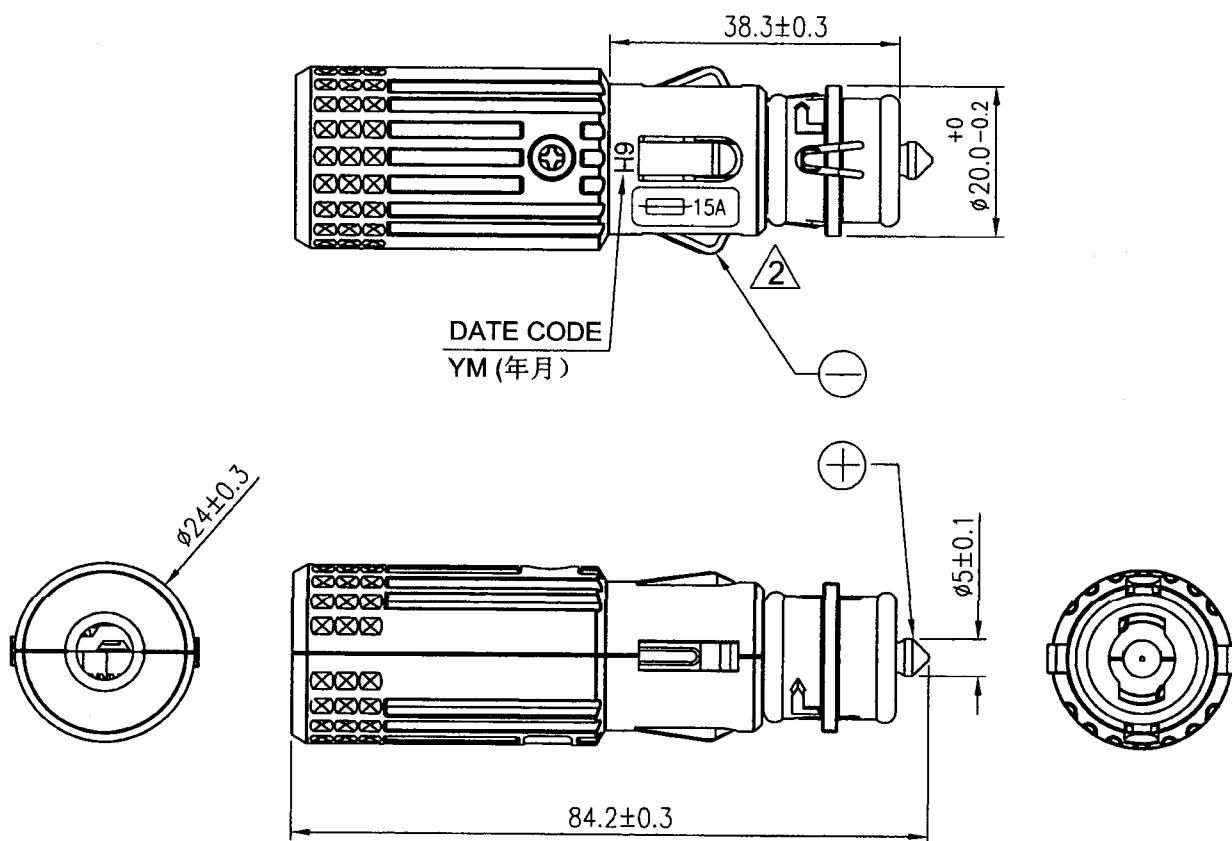


Rating	15A(Fuse) 12-24V DC
Insulation Resistance	DC 500V 100M ohm Min
Voltage Breakdown	AC 1500v 1 Second
Operation Temperature	-20°C~+70°C
Operation Force to push-in/pull-out	2~8 Kgf

Material:
 Crown cover: PBT+15%GF, Red
 Housing: PA66+33%GF, Black
 Top cotact: Nickel Plated Brass.
 Fuse: $\phi 5.2 \times 20\text{mm}$ 15A
 Glass Tube Fuse



原稿
 2020.3.25
 研發部

03/12/20	李景山	依產品和BOM增加印刷15A				△
8/25/16	曾敏捷	增加 DATE CODE.				△
Date	Name	Description				No.
Drawn	Checked	Approved	SCI BOM No.	1250586	Model Name	Lighter Plug With Fuse
李景山		<i>[Signature]</i>	Customer No.		Model No.	A13-150C
03/12/20		3/12-20	Unit	mm	Shin Chin Industrial Co., Ltd.	
						Rev. 2