

EVC492



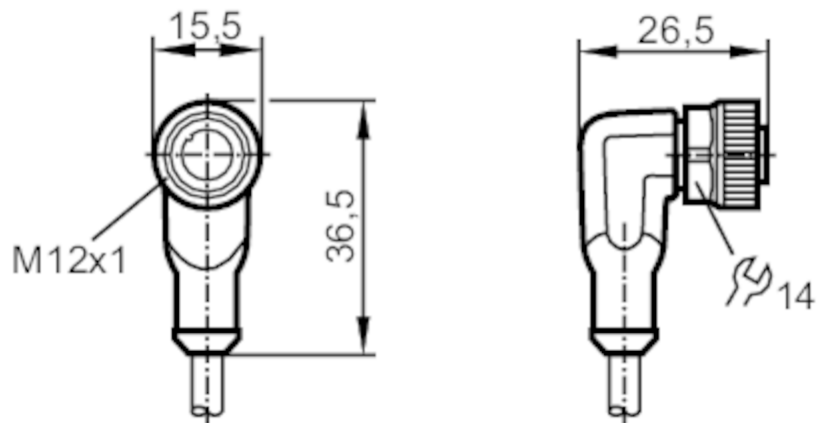
Connecting cable with socket

ADOAH050MSA0005H05

Alternative articles: EVC960

When selecting an alternative article and accessories please note that technical data may differ!

Please see the technical note under "Downloads"



Application	
Special feature	Free from silicone; Halogen-free; Gold-plated contacts; Drag chain suitability
Application	CAN bus
Free from silicone	yes
Electrical data	
Operating voltage [V]	32 DC; (wires 4+5: 5 V)
Protection class	II
Max. current load total [A]	4; (wires 4+5: 0,05)
Operating conditions	
Ambient temperature [°C]	-25...90
Ambient temperature (moving) [°C]	-25...90
Protection	IP 65; IP 67; IP 68; IP 69K
Mechanical data	
Weight [g]	178.5
Dimensions [mm]	26.5 x 15.5 x 36.5
Materials	housing: TPU black; Sealing: FKM
Material nut	brass, nickel-plated
Drag chain suitability	yes

EVC492



Connecting cable with socket

ADOAH050MSA0005H05

Drag chain suitability	bending radius for flexible use	min. 10 x cable diameter
	travel speed	max. 3.3 m/s for a horizontal travel length of 5 m and max. acceleration of 5 m/s ²
	bending cycles	> 5 Mio.
	torsional strain	± 180 °/m

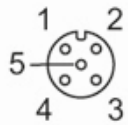
Remarks	
Remarks	The CAN bus terminating resistor (120 Ω) is integrated in the M12 connector.
Notes	Please see the technical note under "Downloads"
Pack quantity	1 pcs.

Electrical connection

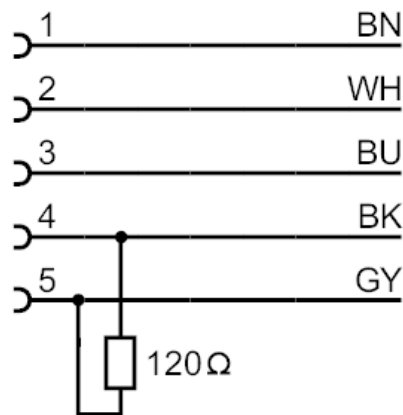
Cable: 5 m, PUR, Halogen-free, black, Ø 4.9 mm; with wire end ferrules; 5 x 0.34 mm² (42 x Ø 0.1 mm)

Electrical connection - socket

Connector: 1 x M12, angled; coding: A; Locking: brass, nickel-plated; Contacts: gold-plated; Tightening torque: 0.6...1.5 Nm



Connection



	Core colours :
BK =	black
BN =	brown
BU =	blue
GY =	grey
WH =	white