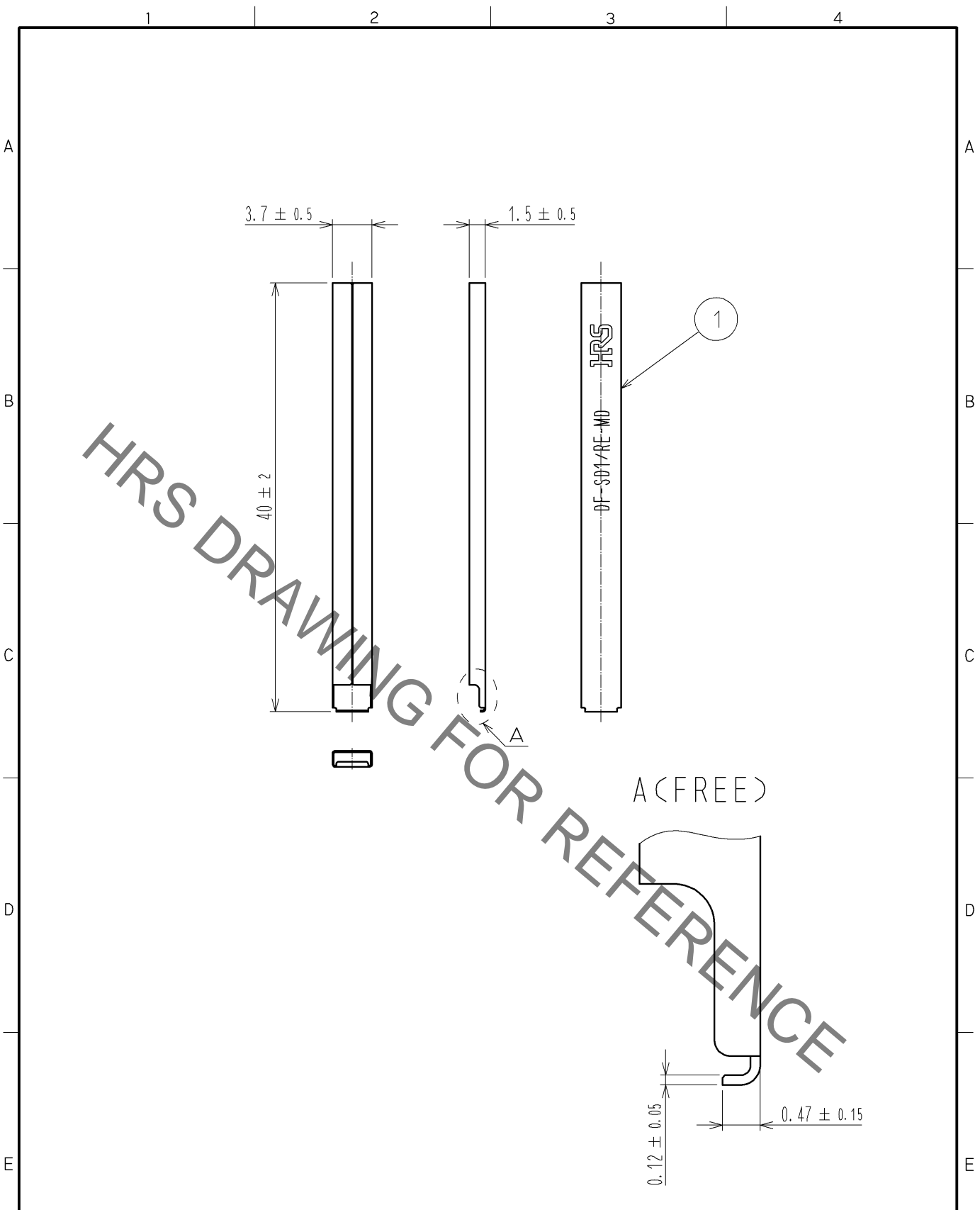


Apr.1.2023 Copyright 2023 HIROSE ELECTRIC CO., LTD. All Rights Reserved.  
 In case of consideration for using Automotive equipment / device which demand high reliability, kindly contact our sales window correspondents.



NOTE 1: THIS PRODUCT IS AN EXTRACTION TOOL FOR UNMATING.

NO.		MATERIAL		FINISH . REMARKS		1		SUS	
UNITS mm		SCALE 2 : 1		COUNT		DESCRIPTION OF REVISIONS		DESIGNED	
<b>HIROSE ELECTRIC CO., LTD.</b>		APPROVED : TS. SAKATA CHECKED : HS. OZAWA DESIGNED : TP. MATSUMOTO DRAWN : TP. MATSUMOTO		11.11.08 11.11.08 11.11.07 11.11.07		DRAWING NO. PART NO. CODE NO.		EDC4-316042-00 DF-SD1/RE-MD CL550-0199-0-00	
								1/1	