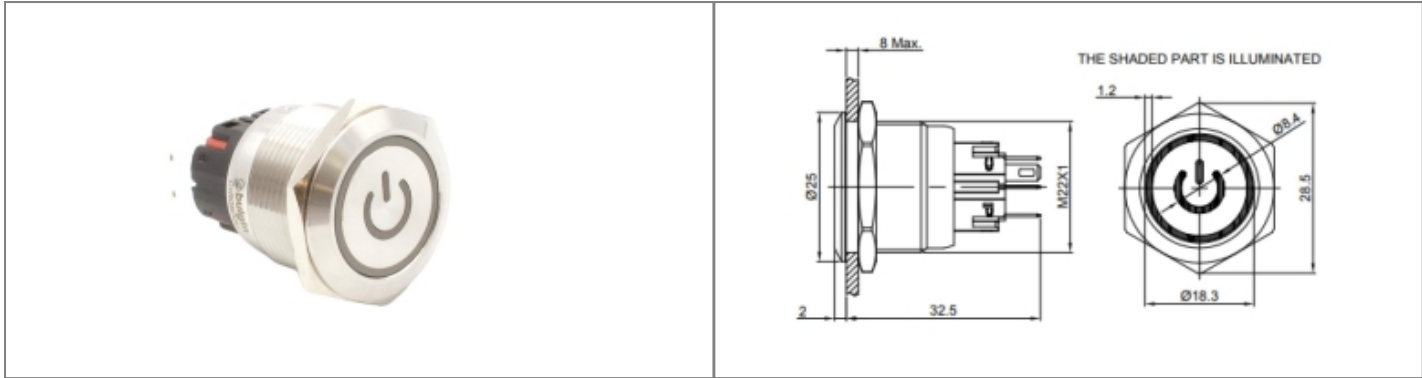


Product Name // MP22SMPINRW024A5 Power Symbol Illumination Vandal Resistant Switch

[View Product Page](#)



// Product Description:

- ⬡ MP22 Range
- ⬡ White
- ⬡ SPDT
- ⬡ 24V
- ⬡ Momentary
- ⬡ AL alloy Black
- ⬡ Power Symbol Illumination
- ⬡ IP65

// General Information:

Product Display Title:	Power Symbol Illumination Vandal Resistant Switch
Product Family:	Switch Range
Product Series:	Vandal Resistant Switches
Bezel Finish:	Gloss
Body Colour:	Black
Body Material:	Aluminium
Body Material Type:	Metal
Current Rating:	5A 250V
Diameter:	22mm
Dielectric Withstanding Voltage:	1500V
Durability:	50,000
Function:	Push Button Switch
Illumination Colour:	White
Illumination Shape:	Power Symbol
Illumination Voltage:	24V
Ip Rating:	IP65
Lamp Type:	LED
Material Finish:	Gloss
Max Operating Temperature:	55°C
Min Operating Temperature:	-25°C
Max Panel Thickness:	8mm
Operating Humidity:	45~85 RH(Non condensing)
Panel Cut Out:	22mm Diameter circle
Rohs Compliant:	Yes
Switch Body Colour:	Black
Switch Body Material:	Aluminium
Switch Button Colour:	Black
Switch Button Material:	Aluminium
Switch Circuit:	SPDT
Switch Series:	MP22
Switch Shape:	Round
Switch Type:	Pushbutton
Switching Type:	Momentary
Thread Size:	M22

// Product PDF Links

[22mm Vandal Resistant Switch](#)

// Product 3D CAD Model Links

[MP22SMPINRW024A53D CAD Model](#)