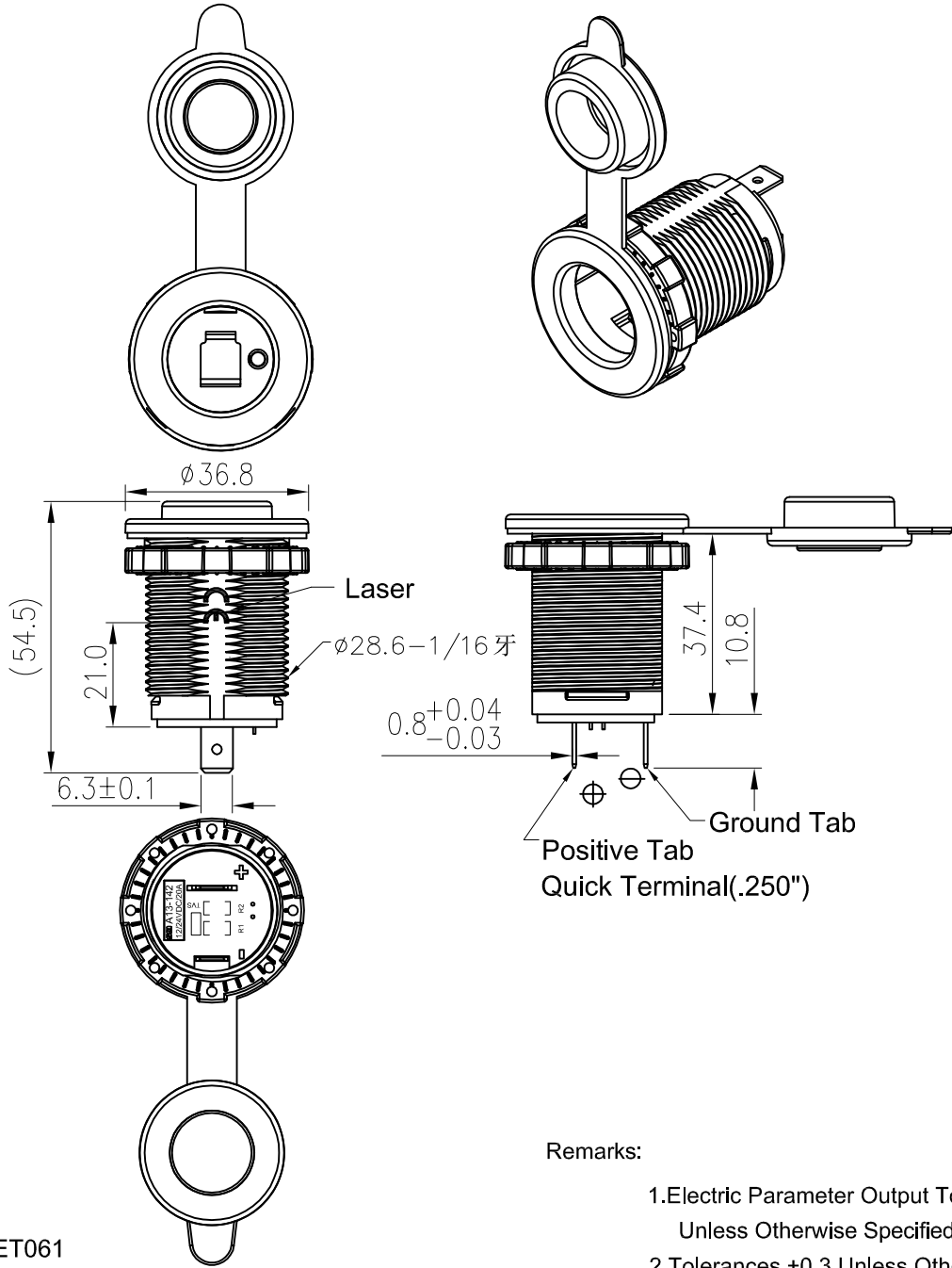


Voltage	12/24V DC 20A max	<div style="text-align: center;"> <p>Mounting Hole</p> </div>
Output		
Max Output Power		
Approvals		
Operating Temperatures	-20°C~60°C	



客戶編號: ET061

Remarks:

1. Electric Parameter Output Tolerances  $\pm 5\%$  Unless Otherwise Specified
2. Tolerances  $\pm 0.3$  Unless Otherwise Specified

A4

								△
								△
Date	Name	Descriptions						NO.
Drawn	Checked	Approved	SCI BOM No.	1252173	Model Name	SeaLink CLA Socket		
莫罕波	楊金壽		Customer No.		Model No.	A13-142E-BB3	REV.	
09/04/25	2025/09/04	2025/09/05	Unit	mm	Shin Chin Industrial Co., Ltd.			0