

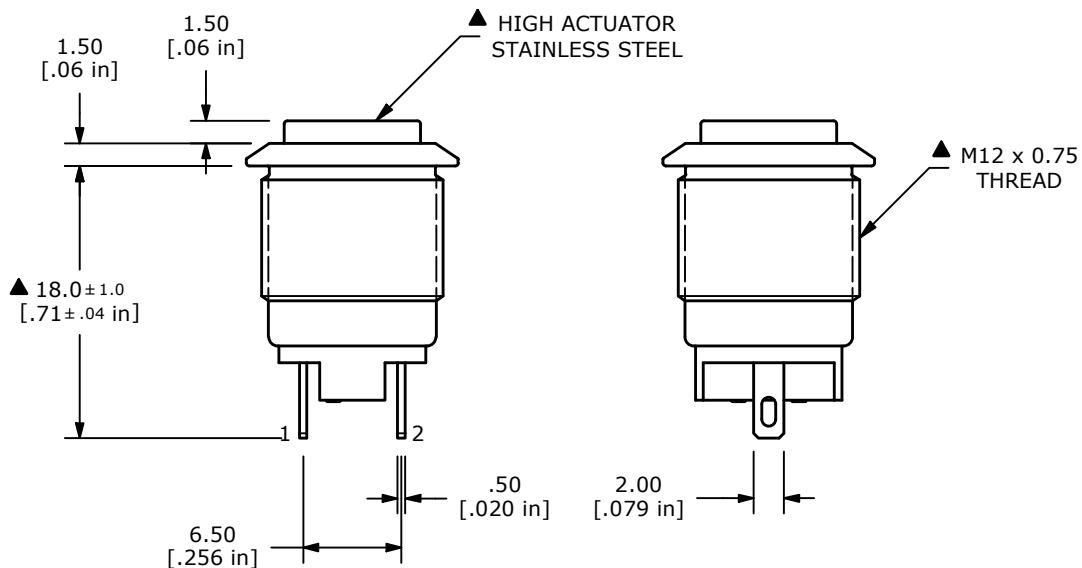
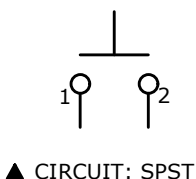
▲ HOUSING
STAINLESS STEEL



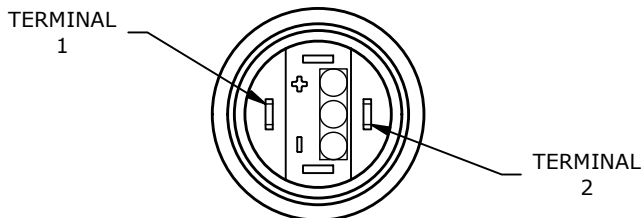
▲ SWITCH FUNCTION

POS. 1	POS. 2
OFF	(ON)
OPEN	1-2

(ON) = MOMENTARY



- NOTE:
1. ALL DIMENSIONS IN MM [INCH]
 2. GENERAL TOLERANCE: X.X = ± 0.4
X.XX = ± 0.25
 3. TERMINAL NOS. FOR REF. ONLY
 4. RATING: 2A @ 36VDC
 5. CONTACT RESISTANCE: 50mΩ MAX. @ 1A 12VDC
 6. INSULATION RESISTANCE: 1,000MΩ @ 500VDC
 7. DIELECTRIC STRENGTH: 2,000VAC MIN. FOR 1 MINUTE
 8. ELECTRICAL LIFE: 200,000 CYCLES
 9. CONTACT MATERIAL: SILVER
 10. OPERATING TEMPERATURE: -20°C TO 55°C
 11. INGRESS PROTECTION: IP65
 12. ▲ DENOTES CRITICAL PARAMETER
 13. HARDWARE INCLUDED: HEX NUT AND O-RING (NOT SHOWN)



E	24581	HOUSING UPDATE	11/9/20	JM
D	23191	UPDATED THREAD FROM ..0.5 TO ..0.75	1/29/18	MJR
C	22865	UPDATED RATING TO 2A @ 36VDC	5/26/17	MJR
REV	PCR NO	DESCRIPTION	DATE	BY



OBJECT ID
000002294

TITLE PV0H240SS

SCALE	DATE	DR	DWG	REV
2:1	2/18/2016	RC	52-PV0H240SS	E