

SV4 SERIES ANTI-VANDAL SWITCH



SPECIFICATIONS

Electrical Rating: 2A, 36VDC
Mechanical Life: 1,000,000 Cycles
Electrical Life: 200,000 Cycles
Contact Resistance: 50mΩ Max. at 1A 12VDC
Insulation Resistance: 1,000MΩ Min. at 500VDC
Dielectric Strength: 2,000VAC for 1 minute
Operating/Storage Temperature: -20°C to 70°C
Travel: 1.80mm
Contact Material: Brass, Coin Silver, Gold Flash
Moisture Protection: IP67
Mechanical Impact Protection: IK10
Contact Arrangement: SPST
Actuation Force: 4.5 N
Panel Thickness: 1-6mm
Mounting Nut Torque: 1-3Nm

FEATURES & BENEFITS

Short body design
19mm diameter panel cutout
Multiple LED options
Ring or Ring/Power Symbol illumination available
IP67 rated
SPST
Soldered wire leads (500mm long) optional
Connector or Receptacle with wire leads (500mm long) optional

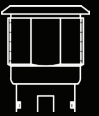
PART NUMBER CONFIGURATOR

Series	Actuator	Terminal	Function	Body Finish	Actuator Finish	Lens Style	LED Color	Illumination Voltage
SV4	F - Flat	2 - Solder Lug W - Wire Leads 500mm long C - 500mm Wires with ECM Connector** R - 500mm Wires with ECM Receptacle***	3 - 1 Pole Off-(On)	S - Stainless Steel 1 - Black Anodized* C - Corrosion Resistant (SUS316)	S - Stainless Steel 1 - Black Anodized* C - Corrosion Resistant (SUS316)	None - Non-Illuminated 3 - Ring Illumination 6 - Ring/Power Symbol Illumination	None - Non-Illuminated 0 - White 1 - Red 3 - Green 4 - Blue 5 - Yellow F - Red/Orange G - Red/Green H - Red/Blue J - Red/Yellow K - Orange/Green N - Blue/Green P - Green/Yellow Q - Blue/Yellow	None - Non-Illuminated 1 - Base Voltage†

NOTES:

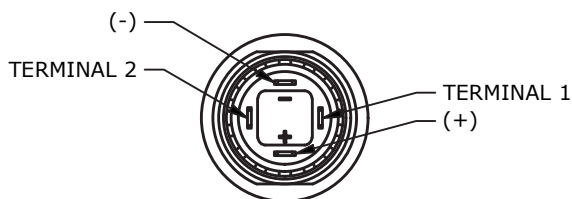
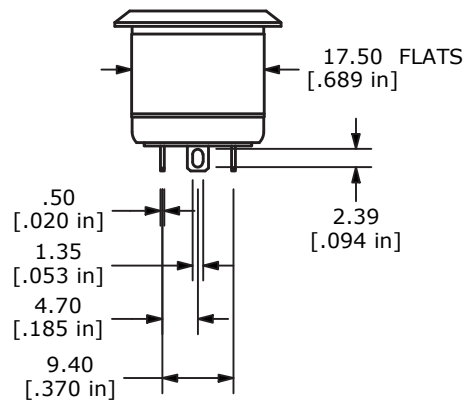
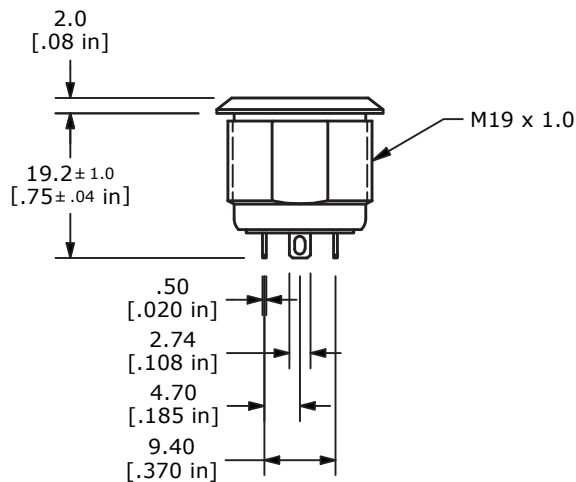
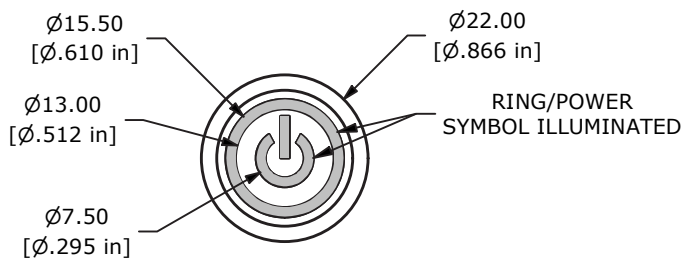
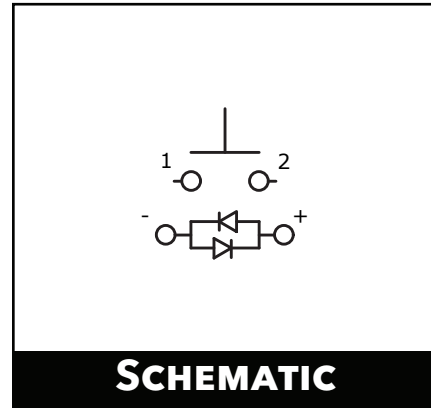
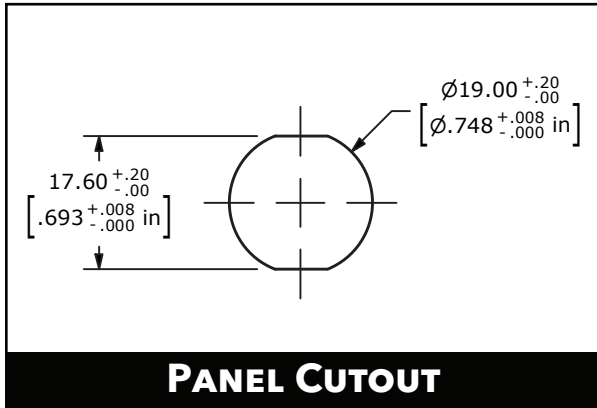
() Denotes function is momentary
 * Black Stainless finish is a PVD coating over stainless steel
 ** ECM302504R
 *** ECM302204R
 †Base voltage for LED colors Red and Yellow is 2.0V @ 20mA
 ‡Base voltage for LED colors Blue, Green and White is 3.1V @ 20mA

Specifications subject to change without notice 9/24/2025



SV4 SERIES ANTI-VANDAL SWITCH - BODY DIMENSIONS

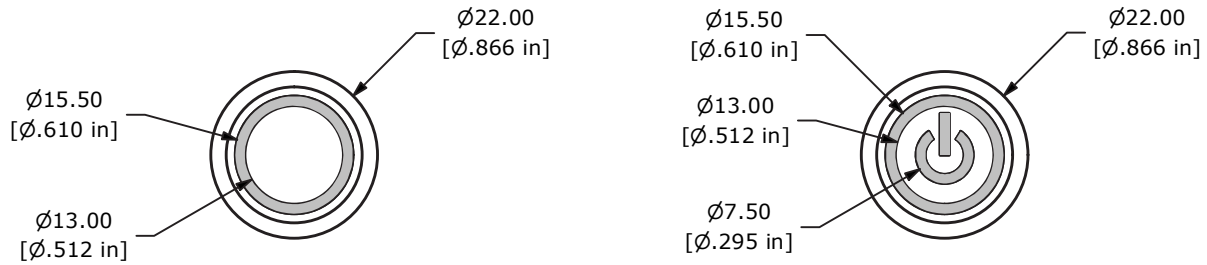
ILLUMINATED RING/POWER SYMBOL





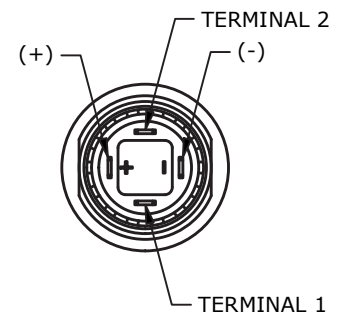
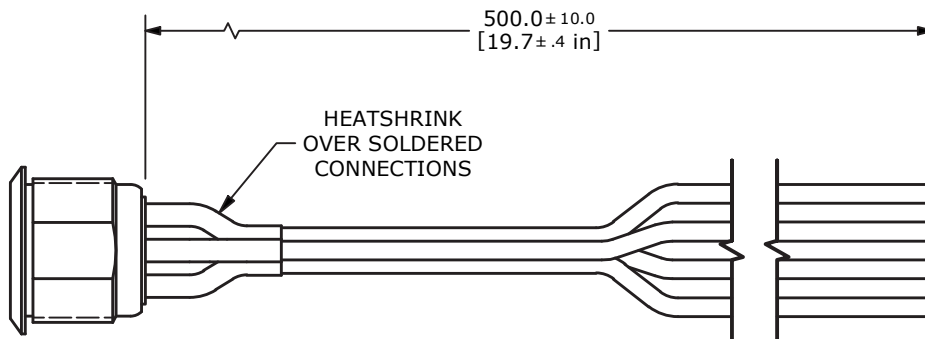
SV4 SERIES ANTI-VANDAL SWITCH - BODY DIMENSIONS

ACTUATORS

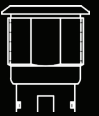


WIRE LEAD

SWITCH	WIRE	LENGTH
SW1-1	WIRE, 20AWG AWM UL3385, BLACK	500.0 [19.7 in]
SW1-2	WIRE, 20AWG AWM UL3385, BLACK	500.0 [19.7 in]
SW1- (-)	WIRE, 20AWG AWM UL3385, GREEN	500.0 [19.7 in]
SW1- (+)	WIRE, 20AWG AWM UL3385, RED	500.0 [19.7 in]

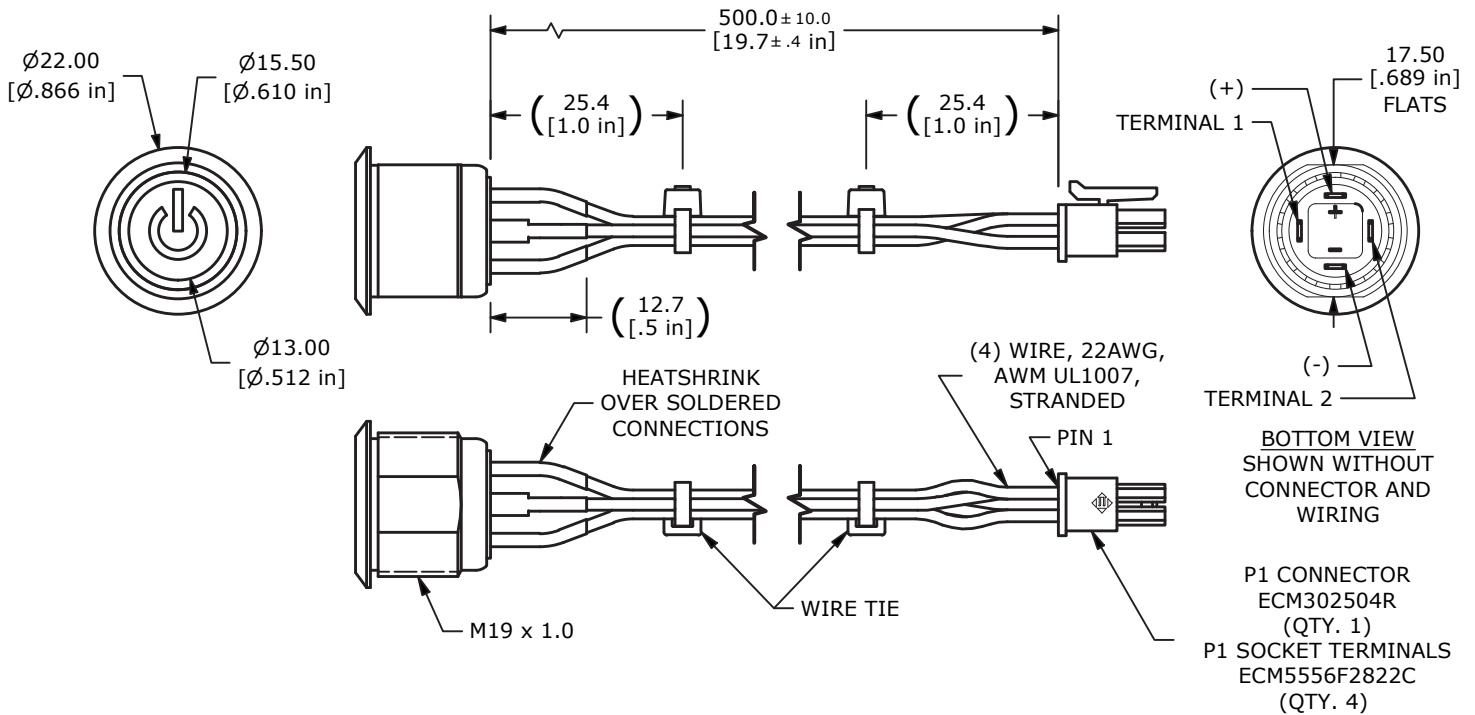
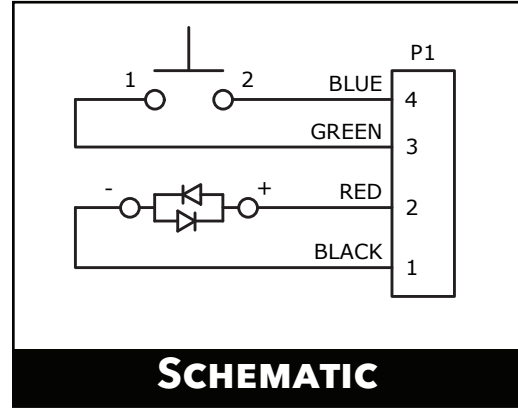
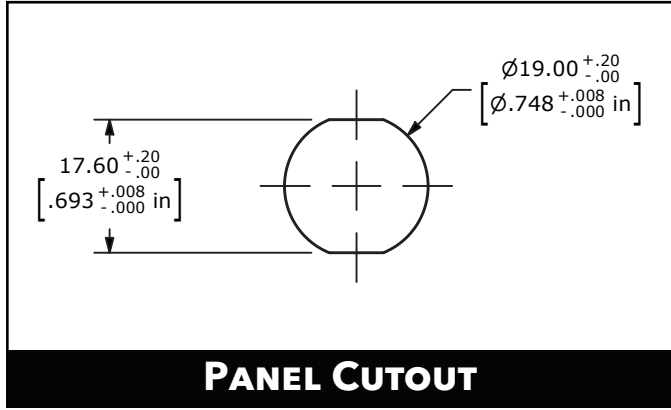


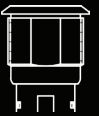
BOTTOM VIEW
SHOWN WITHOUT
WIRING



SV4 SERIES ANTI-VANDAL SWITCH - BODY DIMENSIONS

ILLUMINATED WITH WIRED CONNECTOR





SV4 SERIES ANTI-VANDAL SWITCH - BODY DIMENSIONS

ILLUMINATED WITH WIRED RECEPTACLE

