

1

2

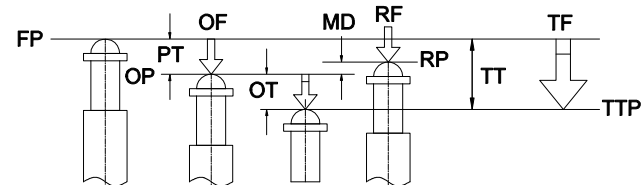
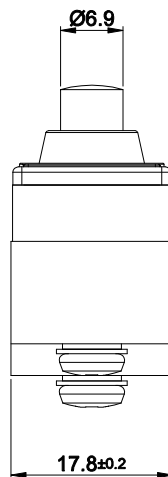
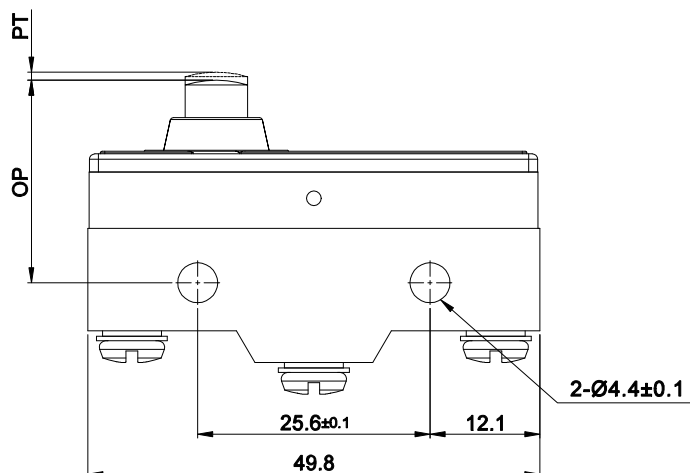
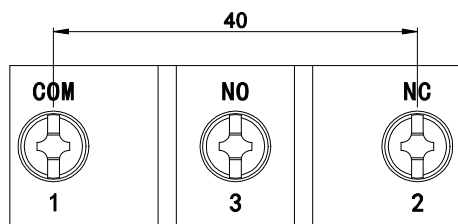
3

4

5

6

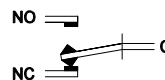
7

FOR
客户名称APPROVED
客户确认签字ATTN
销售负责人

FP:FREE POSITION
OP:OPERATING POSITION
PT:PRE-TRAVEL
OF:OPERATING FORCE
OT:OVER TRAVEL
MD:MOVEMENT DIFFERENTIAL

RF:RELEASE FORCE
RP:RELEASE POSITION
TT:TOTAL TRAVEL
TF:TOTAL TRAVEL FORCE
TTP:TOTAL TRAVEL POSITION

SCHEMATIC



Type	LTM-1306
OF Max.	350g
RF Min.	114g
PT Max.	0.4mm
OT Min.	1.6mm
MD Max.	0.05mm
FP Max.	
OP	21.5±0.5mm

SPECIFICATIONS:

- SWITCH RATING: AC250V/15A, DC250V/0.03A.
- MECHANICAL LIFE: ≥10,000,000CYCLES.
- ELECTRICAL LIFE: ≥500,000CYCLES.
- CONTACT RESISTANCE: ≤15MΩ.
- INSULATION RESISTANCE: ≥100MΩ.
- DIELECTRIC STRENGTH:
BETWEEN DISCONTINUOUS TERMINAL: 1,000VAC, 50/60HZ, 1MIN;
BETWEEN CURRENT CARRYING PARTS AND NON-CURRENT CARRYING PARTS: 1,500VAC, 50/60HZ, 1MIN;
BETWEEN TERMINAL AND GND: 1,500VAC, 50/60HZ, 1MIN.
- OPERATING TEMPERATURE: -10°C~ +80°C(NO FREEZING).
- PROTECTION DEGREE: IP40.
- TERMINAL TYPE: SCREW TERMINAL.
- GENERAL TOLERANCE: 0-18MM=±0.25, 18-80MM=±0.52.

MATERIALS:

- CONTACT: SILVER ALLOY.
- BUTTON: NICKEL PLATED BRASS.
- BODY: UF.
- BASE: UF.

PART NUMBER: LTM-1306

BRAND 品牌		红波按钮制造有限公司			
ONPOW 欧宝龙®		ONPOW PUSH BUTTON MANUFACTURE CO.,LTD.			
TITLE 名称	LTM-1 MICRO SWITCH		UNIT 单位	mm	
DWG NO. 图号	LTM-1306	SCALE 比例	1.2 : 1	SIZE 图纸	A4
FILE NAME 档案名称	LTM-13.DWG	DRAWN 制图	XJ 2021/1/11	SHEET 张	1/1
		REV. 更改	1		