



## Qoltec Splitter Ethernet mini SWITCH 1x3 RJ45 | 1000Mb/s | USB-C | Aluminium

Product code: 52294

The Qoltec splitter allows you to split the signal from a single network cable into three RJ45 outputs, maintaining full data transmission speeds of up to 1000 Mb/s. Power supply from the USB port provides additional stability of the connection over a distance of up to 100m. Aluminum housing, gold-plated connectors and reinforced PCB board. No additional software installation required, just connect the network cable.

### DISCOVER THE FULL POTENTIAL OF YOUR NETWORK



Gigabit Ethernet splitter with three RJ45 outputs - Reliable network device for data transmission up to 1000 Mb/s

A reliable and efficient network device that **will allow you to split the Ethernet signal into 3 outputs at a transmission speed of 1000 Mb/s**. The device will provide you with a stable and fast connection and smooth data transmission over a distance of up to 100 meters. This functionality allows you to uniquely expand the possibilities of using and enjoying your multimedia system, **without the need for additional complex solutions or costly investments** in additional equipment. Now you can enjoy your favorite movies, video games or presentations on several receivers at the same time.

## ROBUST METAL CONSTRUCTION, ADVANCED FEATURES AND EASE OF USE

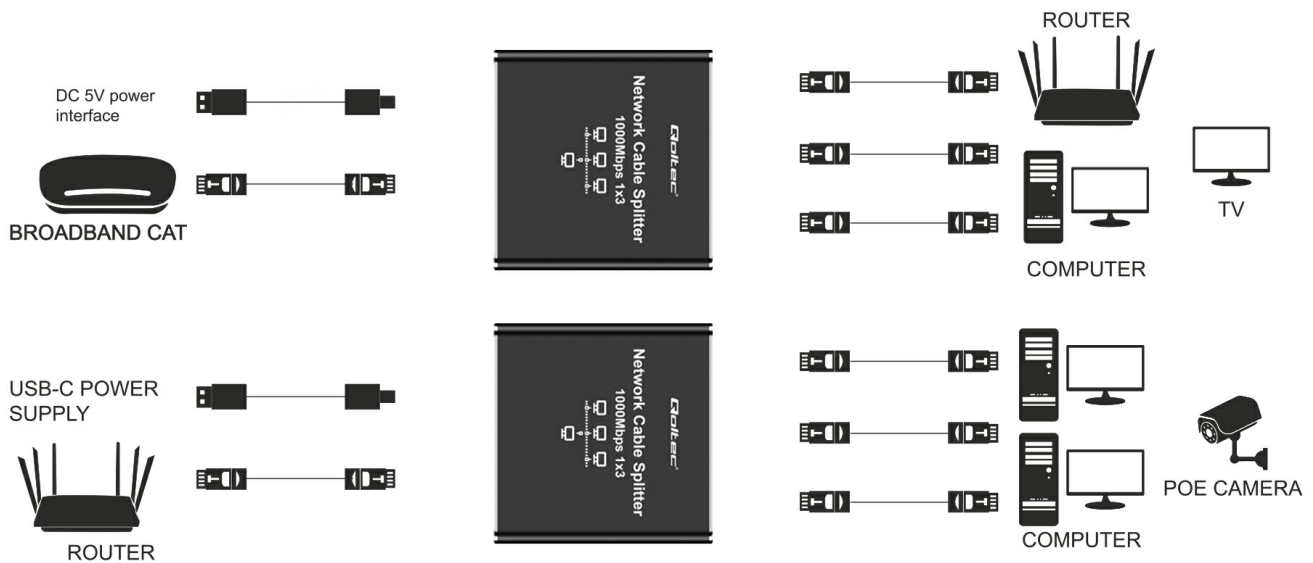


Data transmission speed up to 1 Gbps, Signal range up to 100 m, aluminum housing, 4 RJ45 ports

Discover new possibilities with a Qoltec device that offers:

- Signal distance up to 100m,
- Equipped with 4 RJ45 ports (1 x Input, 3x Output)
- Data rates up to 1Gb/s,
- Aluminium housing, gold-plated connectors and reinforced PCB,
- No plug&play installation and configuration required,
- Works with CAT 5, 5e, 6, 7, 8 network cables,
- Compatibility with devices such as routers, switches, set-top boxes, TVs, ADSL, Starlink.

## EXPAND YOUR MULTIMEDIA CAPABILITIES IN JUST MINUTES



Simple and fast installation of Plug&Play device, automatic connection detection

Our device offers instant and hassle-free installation, thanks to plug&play technology, which does not require additional configuration and technical expertise. You only need to follow a few simple steps. First, Connect devices to the appropriate RJ45 ports using appropriate network cables, e.g. Cat5, Cat5e, Cat6, Cat7 or Cat8 and then connect one of the ports to your router or access modem. Make sure the LED's on the switch indicate activity on the ports.

## TRUST CONFIRMED BY WARRANTY



Product with 24 months guarantee

Do you care about the high quality of the product you buy? Our solutions will meet your expectations. The product is covered by a 24-month warranty valid from the day of purchase.

## TECHNICAL DATA

Producer	Qoltec
Standard	USB-C
Max. baud rate	1000Mb/s
Interface	1x3 RJ45
Usage	Communication, Internet
Additional information	USB-C cable ~0.95m long When three devices are used simultaneously, the available bandwidth is shared.
OTHER PARAMETERS	
Colour	Black
Material	Aluminium
Working temperature	-10 C ~ 55
Dimensions (D/L x W x H)	70 x 72 x 20 mm
Package	Box
Package contents	1 x Splitter 1 x USB-C cable 1 x User manual
Package depth / length [mm]	175
Package width [mm]	95
Package height [mm]	25
Net weight [kg]	0.114
Gross weight [kg]	0.142
Warranty	24 months
EAN code	5901878522944