



## BETA 1082BM

### Diagonal cutting nippers, bi-material handles

## Certifications and Standards

UNI/ISO 5749

## Features

Diagonal cutting nippers, ideal for clean and precise cuts.

### PRECISE CUTTING

Thanks to its design, Beta's cutting nipper guarantees clean cuts on metal wires, ensuring precision even in professional work by electricians and operators in the sector.

### RESISTANCE AND DURABILITY

Made of high-strength steel to be resistant to impacts and wear, maintaining excellent performance over time.



### DIAGONAL CUT

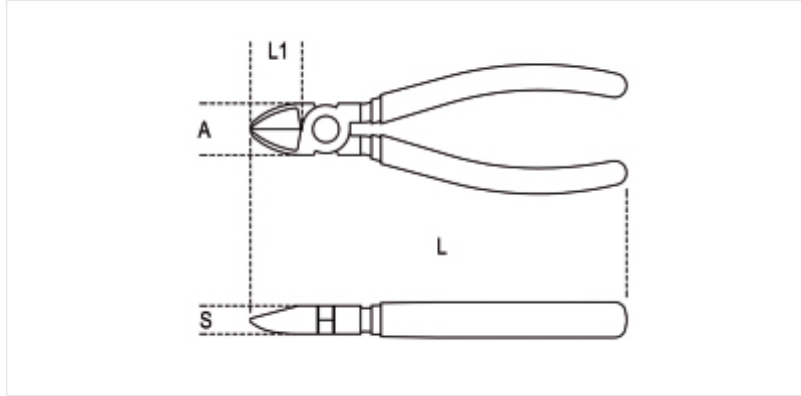
Thanks to the diagonal and ergonomic design, the cut occurs closer to the leverage point, reducing the effort required for repeated operations.



### BI-MATERIAL HANDLE

The handle with non-slip bi-material coating ensures a secure grip even with dirty hands or in humid environments, increasing comfort during use.




## Dimensions



## Certifications and Standards

UNI/ISO 5749

## Coded items

	Art.	L mm	L1 mm	 mm	A mm	S mm	 g
010820034	1082BM 140	140	20	1,6	25,0	11,0	160
010820036	1082BM 160	160	22	1,6	28,0	12,0	215

**Scan the QR Code to access the web tab**

Specs, media and documentation in one click.

