

## Sonos Beacon (DC)

A general purpose beacon. Features the TimeSaver base where connections are made to the base during the initial wiring phase which results in faster and more reliable installation. The beacon head 'twists and clicks' into the base on commissioning, avoiding the wiring and connection problems associated with traditional alarm devices.

Deep base units have weatherproof protection to IP65 and can be used in all locations both indoors and outdoors. The Sonos Beacon utilises a full faced, translucent case which provides a much larger lens area and a greater spread of light.

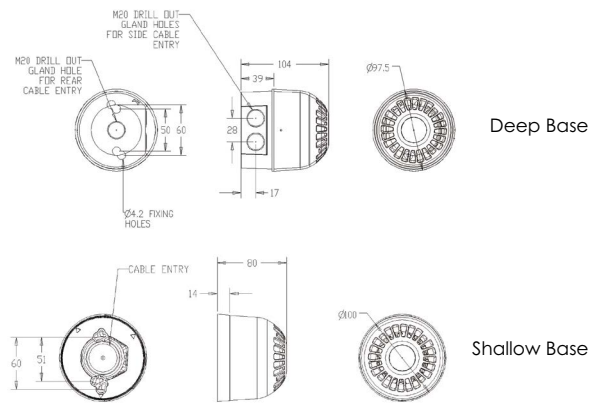
### Features

- High output LED beacon for bright notification
- Simple 'First Fix' installation (no second fix wiring)
- Weatherproof to IP65 (deep base units)
- Synchronised flash

### Lens Colour Options



**Applications** - Industrial, Security, Process indication, Hazard warning, Safety



### Specifications

Part No.	Base	Lens Colour	Voltage	Current @24V
PSB-0216	White Deep Base	Red lens	10-60V DC	55mA
PSB-0217	White Deep Base	Amber lens	10-60V DC	55mA
PSB-0218	White Deep Base	Clear lens	10-60V DC	55mA
PSB-0219	White Deep Base	Blue lens	10-60V DC	55mA
PSB-0220	White Deep Base	Green lens	10-60V DC	55mA
PSB-0221	Red Shallow Base	Clear lens	10-60V DC	55mA
PSB-0222	Red Shallow Base	Amber lens	10-60V DC	55mA
PSB-0223	Red Shallow Base	Clear lens	10-60V DC	55mA
PSB-0224	Red Shallow Base	Blue lens	10-60V DC	55mA
PSB-0225	Red Shallow Base	Green lens	10-60V DC	55mA
PSB-0226	Red Deep Base	Red lens	10-60V DC	55mA
PSB-0227	Red Deep Base	Amber lens	10-60V DC	55mA
PSB-0228	Red Deep Base	Clear lens	10-60V DC	55mA
PSB-0229	Red Deep Base	Blue lens	10-60V DC	55mA
PSB-0230	Red Deep Base	Green lens	10-60V DC	55mA
PSB-0231	White Shallow Base	Red lens	10-60V DC	55mA
PSB-0232	White Shallow Base	Amber lens	10-60V DC	55mA

**IP Rating:** IP65 (deep base) IP21 (shallow base) **Operating Temp:** -25°C to +65°C  
**Construction:** Flame Retardant Polycarbonate **Cable Entries:** 2 x 20mm cable glands (deep base)  
**Weight:** 0.22kg (shallow base) 0.25kg (deep base)

## Sonos Beacon (AC)

A general purpose beacon. Features the TimeSaver base where connections are made to the base during the initial wiring phase which results in faster and more reliable installation. The beacon head 'twists and clicks' into the base on commissioning, avoiding the wiring and connection problems associated with traditional alarm devices.

The Sonos Beacon utilises a full faced, translucent case which provides a much larger lens area and a greater spread of light.

Sonos AC beacons are weatherproof to IP65 and can be used in all locations both indoors and outdoors.

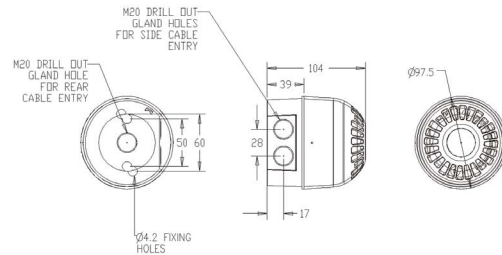
### Features

- **Dual voltage 110V AC or 230V AC**
- **Easy installation**
- **Weatherproof to IP65**
- **Synchronised flash**
- **High output LED beacon**

### Lens Colour Options



**Applications** - Safety, Industrial



## Specifications

Part No.	Base	Colours	Audibility at 1m	Tones	Voltage	Current
PSB-0206	White Deep Base	Red Lens	Up to 102dB (A)	32	110/230V AC	55mA
PSB-0207	White Deep Base	Amber Lens	Up to 102dB (A)	32	110/230V AC	55mA
PSB-0208	White Deep Base	Clear Lens	Up to 102dB (A)	32	110/230V AC	55mA
PSB-0209	White Deep Base	Blue Lens	Up to 102dB (A)	32	110/230V AC	55mA
PSB-0210	White Deep Base	Green Lens	Up to 102dB (A)	32	110/230V AC	55mA
PSB-0211	Red Deep Base	Red Lens	Up to 102dB (A)	32	110/230V AC	55mA
PSB-0212	Red Deep Base	Amber Lens	Up to 102dB (A)	32	110/230V AC	55mA
PSB-0213	Red Deep Base	Clear Lens	Up to 102dB (A)	32	110/230V AC	55mA
PSB-0214	Red Deep Base	Blue Lens	Up to 102dB (A)	32	110/230V AC	55mA
PSB-0215	Red Deep Base	Green Lens	Up to 102dB (A)	32	110/230V AC	55mA

**IP Rating:** IP65 **Operating Temp:** -25°C to +65°C **Weight:** 0.25Kg

**Construction:** Flame retardant Polycarbonate **Compliance:** EN60950

**Cable Entries:** 2x20mm cable gland

## Nexus 105 Sounder Beacon (DC)

The Nexus 105 is a high output, low current consumption sounder beacon designed for industrial applications. Connections are made to the base during the initial wiring phase which results in faster and more reliable installation. In addition, the head is fixed by quarter turn fasteners avoiding the need to screw up four individual screws thus enabling faster installation and accurate seal compression for weatherproofing.

The combination of a powerful sounder and high output LED beacon ensures a very effective audio-visual signal. 110dB and 120dB units, as well as AC variants, are also available.

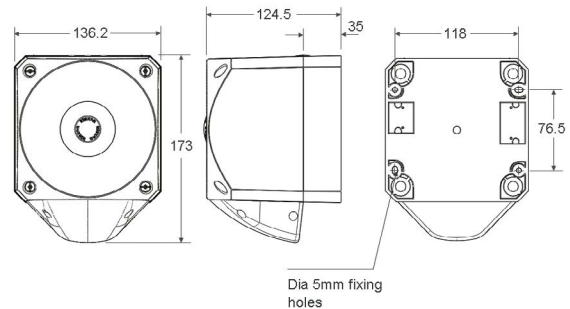
### Features

- High sound output: 113dB (max); 105dB (typical)
- High output LED beacon
- Quarter turn fasteners for ease of installation
- First-fix, wire to base technology
- IP66 rated
- Three alarm stages
- Low in-rush current
- Static/flashing mode
- Volume control for greater flexibility - 20dB
- 64 tones
- Separate connections for sounder & beacon

### Lens Colour Options



**Applications** - Conveyors, Process control alarm, Cranes, Moving machinery, Safety signalling



### Specifications

Part No.	Lens Colour	Beacon Type	Audibility at 1m	Tones	Voltage	Sounder Current	Beacon Current @24V
PNC-0201	Red Beacon	LED Beacon	Up to 113dB (A)	64	10-60V DC	8-40mA	55mA
PNC-0202	Amber Beacon	LED Beacon	Up to 113dB (A)	64	10-60V DC	8-40mA	55mA
PNC-0203	Clear Beacon	LED Beacon	Up to 113dB (A)	64	10-60V DC	8-40mA	55mA
PNC-0204	Blue Beacon	LED Beacon	Up to 113dB (A)	64	10-60V DC	8-40mA	55mA
PNC-0205	Green Beacon	LED Beacon	Up to 113dB (A)	64	10-60V DC	8-40mA	55mA

IP Rating: IP66    Operating Temp: -25°C to +65°C    Cable Entries: 5  
 Weight: 0.8kg    Compliance: EN54-3 Type

## Nexus 105 Sounder Beacon (AC)

The Nexus 105 is a high output sounder-beacon designed for industrial applications.

Connections are made to the base during the initial wiring phase which results in faster and more reliable installation. In addition, the head is fixed by quarter turn fasteners enabling faster installation and accurate seal compression for weatherproofing.

The combination of powerful sounder and high output beacon ensures a very effective audio-visual signal.

110dB and 120dB units, as well as DC variants, are also available.

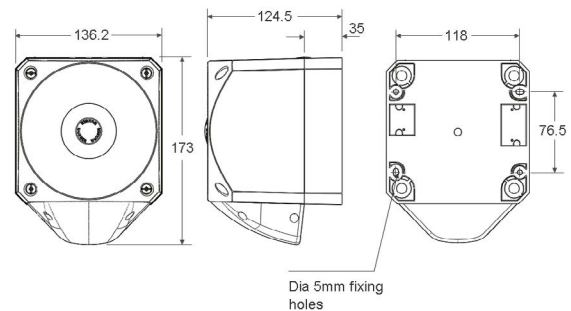
### Features

- High sound output: 113dB (max); 105dB typical
- High output LED beacon
- Quarter turn fasteners for ease of installation
- First-fix, wire to base technology
- IP66 rated
- Volume control for greater flexibility - 20dB
- 64 tones
- Separate connections for sounder & beacon

### Lens Colour Options



**Applications** - Conveyors, Process control alarm, Cranes, Moving machinery, Safety signalling



## Specifications

Part No.	Lens Colour	Beacon Type	Audibility at 1m	Tones	Voltage	Sounder Current	Beacon Current
PNC-0216	Red Beacon	LED Beacon	Up to 113dB (A)	64	110/230V AC	40mA (max)	55mA
PNC-0217	Amber Beacon	LED Beacon	Up to 113dB (A)	64	110/230V AC	40mA (max)	55mA
PNC-0218	Clear Beacon	LED Beacon	Up to 113dB (A)	64	110/230V AC	40mA (max)	55mA
PNC-0219	Blue Beacon	LED Beacon	Up to 113dB (A)	64	110/230V AC	40mA (max)	55mA
PNC-0220	Green Beacon	LED Beacon	Up to 113dB (A)	64	110/230V AC	40mA (max)	55mA

IP Rating: IP66    Operating Temp: -25°C to +65°C    Cable Entries: 5    Weight: 0.8kg

## Nexus 110 Sounder Beacon (DC)

The Nexus 110 is a high output, low current consumption sounder beacon designed for fire and industrial applications. Connections are made to the base during the initial wiring phase which results in faster and more reliable installation. In addition, the head is fixed by quarter turn fasteners enabling faster installation and accurate seal compression for weatherproofing.

The combination of a powerful sounder and high output beacon ensures a very effective audio-visual signal. 105dB and 120dB units, as well as AC variants, are also available.

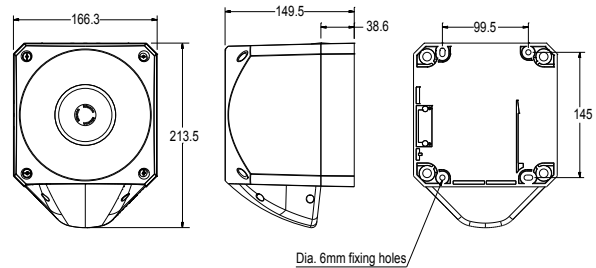
### Features

- High sound output: 116dB (max); 110dB (typical)
- Three alarm stages
- High output LED beacon
- Quarter turn fasteners for ease of installation
- First-fix, wire to base technology
- IP66 rated
- Volume control for greater flexibility - 20dB
- Low in-rush current
- Static/flashing mode
- 64 tones
- Separate connections for sounder & beacon

### Lens Colour Options



**Applications** - Conveyors, Process control alarm, Cranes, Moving machinery, Safety signalling



### Specifications

Part No.	Lens Colour	Beacon Type	Audibility at 1m	Tones	Voltage	Sounder Current	Beacon Current @24V
PNC-0206	Red Beacon	LED Beacon	Up to 116dB (A)	64	10-60V DC	10-50mA	55mA
PNC-0207	Amber Beacon	LED Beacon	Up to 116dB (A)	64	10-60V DC	10-50mA	55mA
PNC-0208	Clear Beacon	LED Beacon	Up to 116dB (A)	64	10-60V DC	10-50mA	55mA
PNC-0209	Blue Beacon	LED Beacon	Up to 116dB (A)	64	10-60V DC	10-50mA	55mA
PNC-0210	Green Beacon	LED Beacon	Up to 116dB (A)	64	10-60V DC	10-50mA	55mA

IP Rating: IP66    Operating Temp: -25°C to +65°C    Cable Entries: 5  
 Weight: 1.2kg    Compliance: EN54-3 Type B

## Nexus 110 Sounder Beacon (AC)

The Nexus 110 is a high output, sounder beacon designed for industrial applications.

Connections are made to the base during the initial wiring phase which results in faster and more reliable installation. In addition, the head is fixed by quarter turn fasteners enabling faster installation and accurate seal compression for weatherproofing.

The combination of powerful sounder and high output beacon ensures a very effective audio-visual signal.

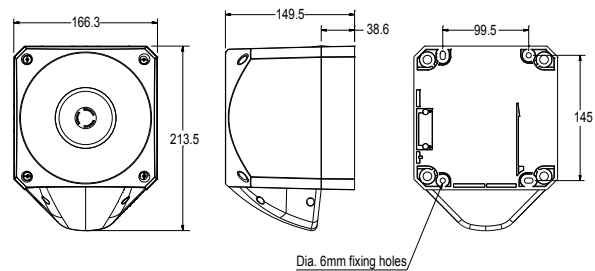
### Features

- High sound output: 116dB (max); 110dB typical
- Low voltage AC variant
- High output LED beacon
- Three alarm stages
- Quarter turn fasteners for ease of installation
- First-fix, wire to base technology
- IP66 rated
- Volume control for greater flexibility - 20dB
- 64 tones
- Separate connections for sounder & beacon

### Lens Colour Options



**Applications** - Conveyors, Process control alarm, Cranes, Moving machinery, Safety signalling



### Specifications

Part No.	Lens Colour	Beacon Type	Audibility at 1m Dimensions:	Tones	Voltage	Sounder Current	Beacon Current
PNC-0221	Red Beacon	LED Beacon	116dB (A)	64	110/230V AC	40mA (max)	55mA
PNC-0222	Amber Beacon	LED Beacon	116dB (A)	64	110/230V AC	40mA (max)	55mA
PNC-0223	Clear Beacon	LED Beacon	116dB (A)	64	110/230V AC	40mA (max)	55mA
PNC-0224	Blue Beacon	LED Beacon	116dB (A)	64	110/230V AC	40mA (max)	55mA
PNC-0225	Green Beacon	LED Beacon	116dB (A)	64	110/230V AC	40mA (max)	55mA

IP Rating: IP66    Operating Temp: -25°C to +65°C    Cable Entries: 5    Weight: 1.2kg

## Nexus 120 Sounder Beacon (DC)

The Nexus 120 is a very high output sounder beacon designed for fire and industrial applications. Connections are made to the base during the initial wiring phase which results in faster and more reliable installation.

In addition, the head is fixed by quarter turn fasteners enabling faster installation and accurate seal compression for weatherproofing. IP66 as standard means that Nexus can be installed in almost any location.

The combination of powerful sounder and high output beacon ensures a very effective audio-visual signal. 105dB and 110dB units, as well as AC variants, are also available.

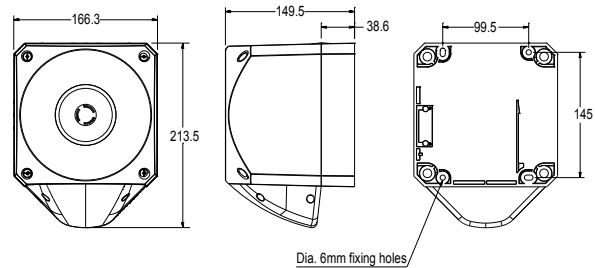
### Features

- High sound output 120dB (typical)
- Three alarm stages
- High output LED beacon
- Quarter turn fasteners for ease of installation
- First-fix, wire to base technology
- IP66 rated
- Volume control for greater flexibility - 20dB
- Low in-rush current
- Static/flashing mode
- 64 tones
- Separate connections for sounder & beacon

### Lens Colour Options



**Applications** - Conveyors, Process control alarm, Cranes, Moving machinery, Safety signalling



## Specifications

Part No.	Lens Colour	Beacon Type	Audibility at 1m	Tones	Voltage	Sounder Current	Beacon Current @24V
PNC-0211	Red Beacon	LED Beacon	Up to 120dB (A)	64	10-60V DC	120-550mA	55mA
PNC-0212	Amber Beacon	LED Beacon	Up to 120dB (A)	64	10-60V DC	120-550mA	55mA
PNC-0213	Clear Beacon	LED Beacon	Up to 120dB (A)	64	10-60V DC	120-550mA	55mA
PNC-0214	Blue Beacon	LED Beacon	Up to 120dB (A)	64	10-60V DC	120-550mA	55mA
PNC-0215	Green Beacon	LED Beacon	Up to 120dB (A)	64	10-60V DC	120-550mA	55mA

**IP Rating:** IP66    **Operating Temp:** -25°C to + 65°C    **Cable Entries:** 5  
**Weight:** 2kg    **Compliance:** EN54-3 Type B

## Nexus 120 Sounder Beacon (AC)

The Nexus 120 is a very high output sounder beacon designed for industrial applications.

Connections are made to the base during the initial wiring phase which results in faster and more reliable installation. In addition, the head is fixed by quarter turn fasteners enabling faster installation and accurate seal compression for weatherproofing. IP66 as standard means that Nexus can be installed in almost any location.

The combination of powerful sounder and high output LED beacon ensures a very effective audio-visual signal.

105dB and 110dB units, as well as DC variants, are also available.

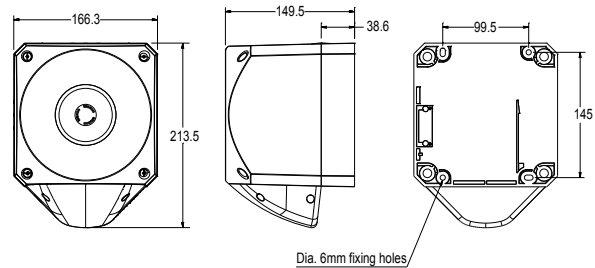
### Features

- High sound output 120dB (A)
- High efficiency LED beacon
- Three alarm stages
- Quarter turn fasteners for ease of installation
- First-fix, wire to base technology
- IP66 rated
- Volume control for greater flexibility - 20dB
- 64 tones
- Separate connections for sounder & beacon

### Lens Colour Options



**Applications** - Conveyors, Process control alarm, Cranes, Moving machinery, Safety signalling



## Specifications

Part No.	Lens Colour	Beacon Type	Audibility at 1m	Tones	Voltage	Sounder Current	Beacon Current
PNC-0009	Red lens	LED Beacon	Up to 120dB (A)	64	110/230V AC	200mA	55mA
PNC-0011	Amber lens	LED Beacon	Up to 120dB (A)	64	110/230V AC	200mA	55mA
PNC-0023	Clear lens	LED Beacon	Up to 120dB (A)	64	110/230V AC	200mA	55mA
PNC-0058	Blue lens	LED Beacon	Up to 120dB (A)	64	110/230V AC	200mA	55mA
PNC-0056	Green lens	LED Beacon	Up to 120dB (A)	64	110/230V AC	200mA	55mA

IP Rating: IP66    Operating Temp: -25°C to + 65°C    Cable Entries: 5    Weight: 2kg