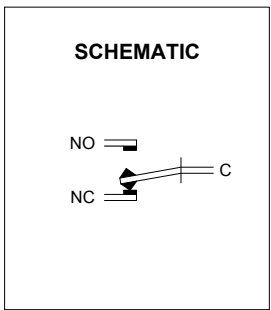
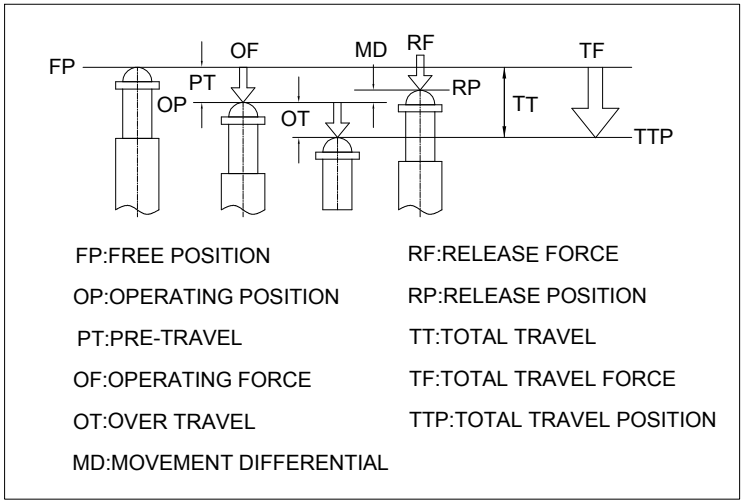
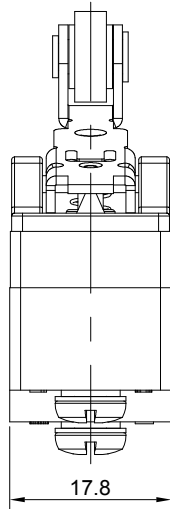
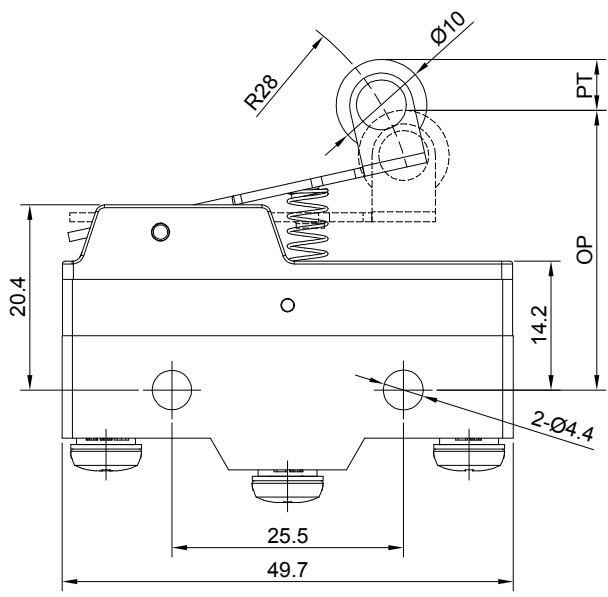
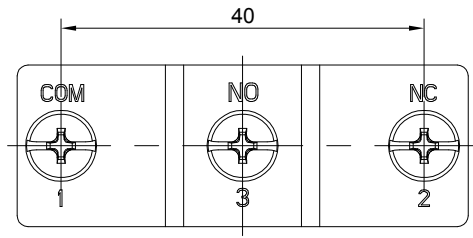


1 2 3 4 5 6 7

FOR 客户名称	APPROVED 客户确认签字	ATTN 销售负责人



TYPE	LTM-1704
OF Max.	160g
RF Min.	42g
PT Max.	2.7mm
OT Min.	2.4mm
MD Max.	0.5mm
FP Max.	32.5mm
OP	30.2±0.4mm

**SPECIFICATIONS:**

- 1.SWITCH RATING: AC250V/15A, DC250V/0.03A.
- 2.MECHANICAL LIFE: ≥10,000,000 cycles.
- 3.ELECTRICAL LIFE: ≥50,000 cycles.
- 4.CONTACT RESISTANCE: ≤200mΩ.
- 5.INSULATION RESISTANCE: ≥100MΩ(500VDC).
- 6.POWER-FREQUENCY WITHSTAND VOLTAGE:  
 BETWEEN DISCONTINUOUS TERMINAL: 1,000VAC, 50/60Hz, 1min;  
 BETWEEN CURRENT CARRYING PARTS AND NON-CURRENT CARRYING PARTS: 1,500VAC, 50/60Hz, 1min;  
 BETWEEN TERMINAL AND GND: 1,500VAC, 50/60Hz, 1min.
- 7.OPERATING TEMPERATURE: -10°C~ +80°C(NO FREEZING).
- 8.FRONT PANEL PROTECTION DEGREE: IP40.
- 9.TERMINAL TYPE: SCREW TERMINAL.
- 10.GENERAL TOLERANCE:0-18mm=±0.25, 18-80mm=±0.52.
- 11.COMPLIANT WITH RoHS.

**MATERIALS:**

- 1.CONTACT: SILVER ALLOY.
- 2.ROCKER: STAINLESS STEEL.
- 3.BODY: UF.

**PART NUMBER: LTM-1704**

BRAND 品牌		<b>红波按钮制造有限公司</b>			
<b>ONPOW 欧宝龙®</b>		ONPOW PUSH BUTTON MANUFACTURE CO.,LTD.			
TITLE 名称	LTM-17 MICRO SWITCH		UNIT 单位	mm	
DWG NO. 图号	LTM-1704	SCALE 比例	1.2 : 1	SIZE 图纸	A4
FILE NAME 档案名称	LTM-17.DWG	DRAWN 制图	HCP 2023/09/27	SHEET 张	1/1
		REV. 版本	V1.0		

1 2 3 4 5 6 7