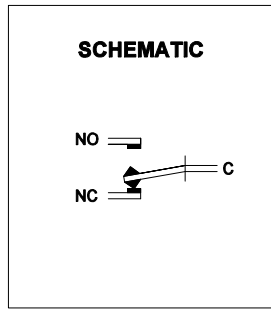
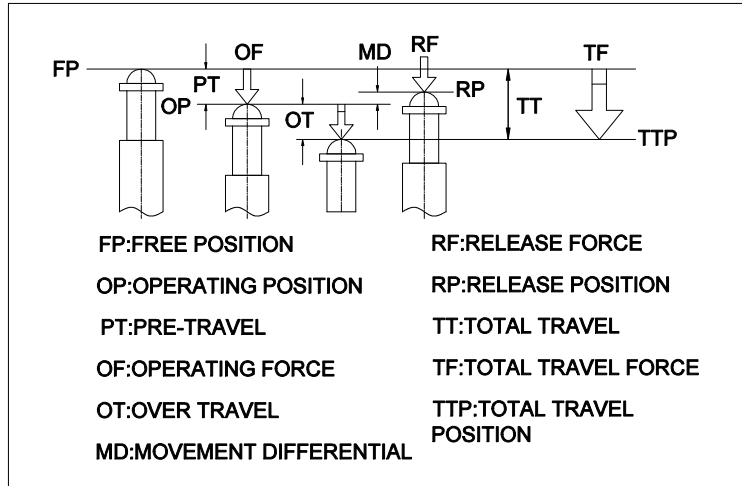
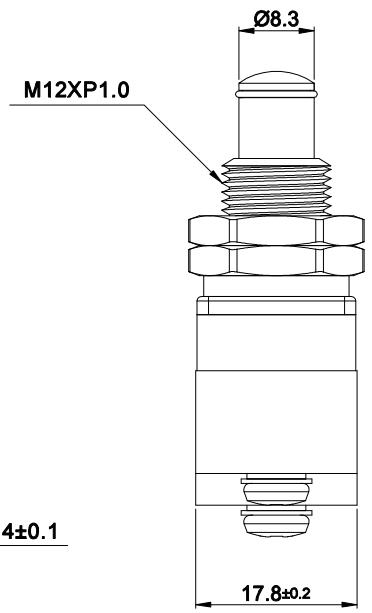
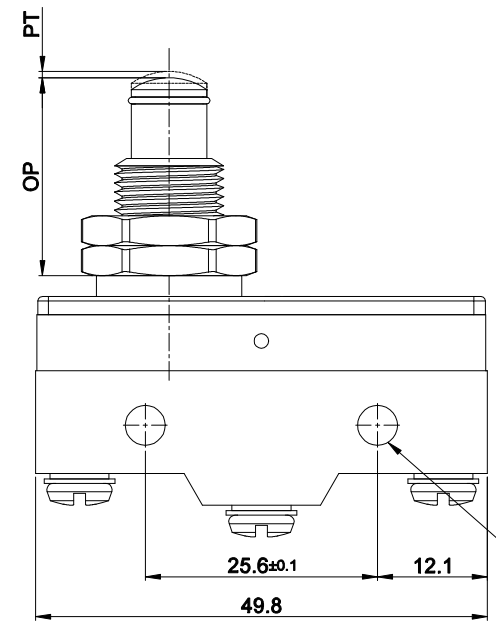
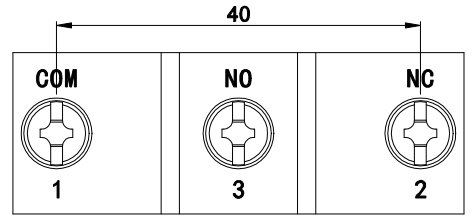


1 2 3 4 5 6 7

FOR 客户名称	APPROVED 客户确认签字	ATTN 销售负责人



Type	LTM-1306
OF Max.	350g
RF Min.	114g
PT Max.	0.4mm
OT Min.	5.5mm
MD Max.	0.05mm
FP Max.	
OP	21.8±0.8mm

**SPECIFICATIONS:**

- SWITCH RATING: AC250V/15A, DC250V/0.03A.
- MECHANICAL LIFE: ≥10,000,000CYCLES.
- ELECTRICAL LIFE: ≥500,000CYCLES.
- CONTACT RESISTANCE: ≤15MΩ.
- INSULATION RESISTANCE: ≥100MΩ.
- DIELECTRIC STRENGTH:  
 BETWEEN DISCONTINUOUS TERMINAL: 1,000VAC, 50/60HZ, 1MIN;  
 BETWEEN CURRENT CARRYING PARTS AND NON-CURRENT CARRYING PARTS: 1,500VAC, 50/60HZ, 1MIN;  
 BETWEEN TERMINAL AND GND: 1,500VAC, 50/60HZ, 1MIN.
- OPERATING TEMPERATURE: -10°C~ +80°C(NO FREEZING).
- PROTECTION DEGREE: IP40.
- TERMINAL TYPE: SCREW TERMINAL.
- GENERAL TOLERANCE:0-18MM=±0.25, 18-80MM=±0.52.

**MATERIALS:**

- CONTACT: SILVER ALLOY.
- BUTTON: NICKEL PLATED BRASS.
- BODY: UF.
- BASE: UF.

**PART NUMBER: LTM-1307**

BRAND 品牌		<b>红波按钮制造有限公司</b>			
<b>ONPOW 欧宝龙®</b>		ONPOW PUSH BUTTON MANUFACTURE CO.,LTD.			
TITLE 名称	LTM-1 MICRO SWITCH		UNIT 单位	mm	
DWG NO. 图号	LTM-1307	SCALE 比例	1.2 : 1	SIZE 图纸	A4
FILE NAME 档案名称	LTM-13.DWG	DRAWN 制图	YDY 2022/04/29	SHEET 张	1/1
				REV. 更改	1

1 2 3 4 5 6 7