

IBQ50174

INDUCTIVE SENSORS • NORM SWITCHING DISTANCE

sensor inductive, 25x5x5mm, Flush, Sn: 0.8, 10-30V DC, PNP NO, IO-Link, Cable connector M8 3pin 0.15m PUR (Polyurethane), IP67, Brass Chrome-plated



MECHANICAL FEATURES

| | |
|--|--------------------|
| Active area material of sensor | PCB |
| Ambient temperature | -25 °C ... 70 °C |
| Cable infeed | Axial |
| Cable length | 0.15 m |
| Degree of protection (IP) | IP67 |
| Design | Cuboid |
| Housing coating | Chrome-plated |
| Housing material | Brass |
| Material of cable sheath | PUR (Polyurethane) |
| Max. tightening torque | 0.5 Nm |
| Mechanical mounting condition for sensor | Flush |
| Pressure-proof | - |
| Sensor height | 25 mm |
| Sensor length | 5 mm |
| Sensor width | 5 mm |

ELECTRICAL FEATURES

| | |
|-------------------------------|-----------------------|
| Cascadable | - |
| Hysteresis | 10 % |
| IO-Link compatible | + |
| No-load current | 10 mA |
| Number of pins | 3 |
| Rated switching current | 200 mA |
| Reverse polarity protection | + |
| Short-circuit protection | + |
| Suitable for safety functions | - |
| Supply voltage | 10 V ... 30 V |
| Switching distance | 0.8 mm |
| Switching frequency | 5000 Hz |
| Type of electrical connection | Cable connector M8 |
| Type of switching function | Normally open contact |
| Type of switching output | PNP |
| Voltage drop | 2 V |

ELECTRICAL FEATURES

| | |
|--|----|
| Voltage type | DC |
| With LED display | + |
| With monitoring function of downstream devices | - |

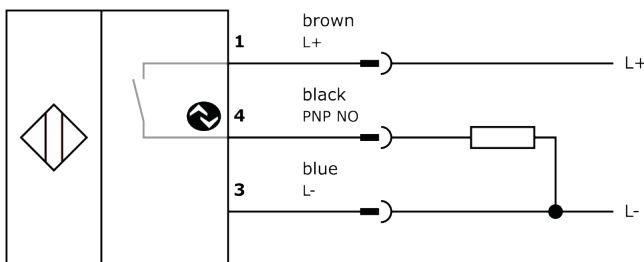
Other

| | |
|----------------------|---------------------------|
| Packaging dimensions | 77.0mm x 25.0mm x 123.0mm |
| Shipping weight | 0.03kg |
| Tariff code | 85365019 |

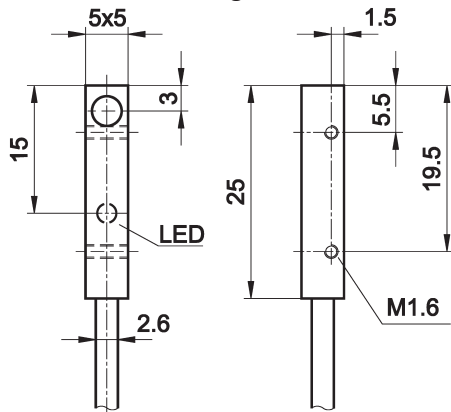
Classification

| | |
|-------------------|----------|
| ipf product group | 215 |
| eClass 8.0 | 27270101 |
| eClass 9.0 | 27270101 |
| eClass 9.1 | 27270101 |
| ETIM-5.0 | EC002714 |
| ETIM-6.0 | EC002714 |
| ETIM-7.0 | EC002714 |

Connection



Dimensional drawing



Installation



Mounting / installation may only be carried out by a qualified electrician!

Disposal



Software

Any software, drivers or IODD files that may be required to operate your device can be downloaded free of charge from our homepage: www.ipf-electronic.com

Safety warnings

Before initial operation, please make sure to follow all safety instructions that may be provided in the product information.

Never use these devices in applications where the safety of a person depends on their functionality.
LED lighting systems can generate intensive UV radiation, which can damage your eyes in case of improper use. The manufacturer cannot be held responsible for damages that result from improper use or connection.