



BETA 1150HPC

Heavy duty universal pliers



Certifications and Standards

= ISO 5746

Features

Design and production take place in our Italian factories, guaranteeing a pliers made in Italy, performing and reliable over time.

SINTERED STEEL CUTTING EDGES

Integrated cutting edges made of sintered steel guarantee extreme precision, much higher cutting performance and greater wear resistance than conventional cutting edges.

MADE IN ITALY

Beta's product of excellence, the result of meticulous design and manufacture, is emblematic of Made in Italy quality and innovation.

OFF-CENTRE PIVOT

The fulcrum is positioned closer to the cutting point to increase the leverage effect and achieve a more powerful and precise cut.



PRECISE CUT

The sintered steel cutting edges, with 65HRC hardness and 62° angle, guarantee an easier and more consistent cut.



EFFECTIVE FORCE TRANSMISSION

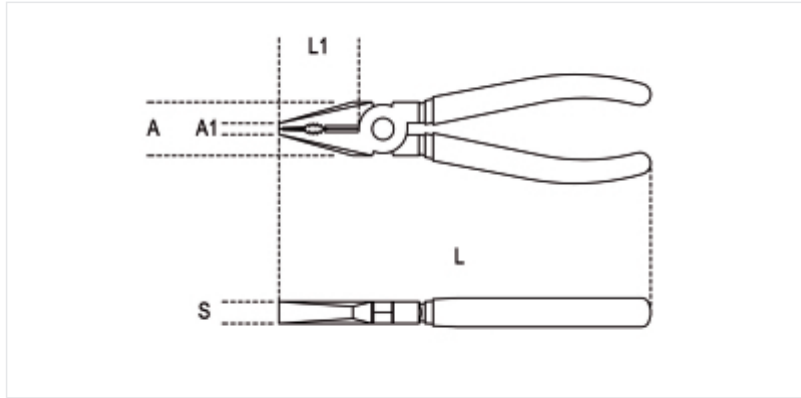
Reduced cutting effort due to the pivot positioned close to the cutting edges, which optimises force transmission during use.



BI-MATERIAL HANDLES

Optimum grip and comfortable in use thanks to bi-material handles.

Dimensions



Certifications and Standards

ISO 5746

Coded items

	Art.	L mm	L1 mm	 mm	A mm	A1 mm	S mm	 g
011500618	1150HPC 180	180	42	1,8	25	6,3	11	290

Scan the QR Code to access the web tab

Specs, media and documentation in one click.

