



BETA 96T

Offset hexagon key wrenches, with high torque handles



Certifications and Standards

○

Features

Beta 96T wrench: the ideal tool for fast and accurate tightening.

High precision

Thanks to its precise workmanship and perfect fit on hexagonal screws, the Beta 96T wrench minimises the risk of damaging screws or components. Ideal for work requiring a high level of accuracy.

Strength and resistance

Made of high-quality chrome-plated steel, the Beta 96T wrench is designed to withstand high loads without deforming, ensuring effective force transmission even in heavy-duty operations.

Improved ergonomics

The ergonomic handles allow better control, reducing hand and wrist fatigue during prolonged use. This makes the wrench comfortable to use even in tight spaces.

Versatility of sizes

Available in a wide range of sizes, from 2 mm to 10 mm, the Beta 96T wrench is suitable for a variety of professional needs and can tackle a wide variety of mechanical applications.



PASS-THROUGH BLADE INSIDE HANDLE

The pass-through blade design ensures greater strength and control, even in the most demanding applications.



ROUND SECTION

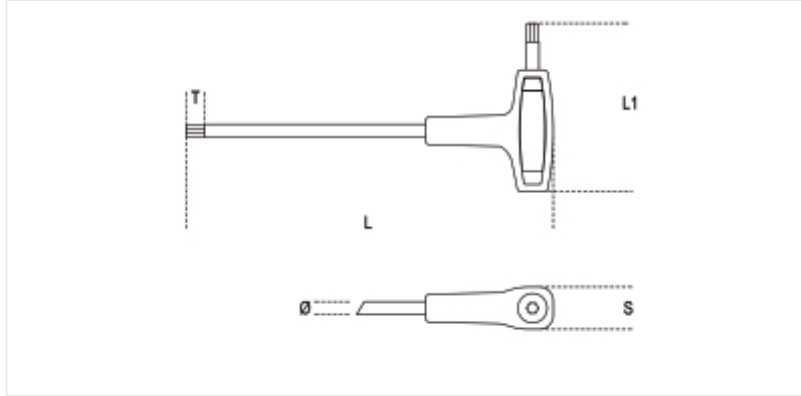
Offers a more homogenous structure than the hexagonal section, ensuring greater mechanical resistance during use.



Easy maintenance



The plastic handles are not damaged if cleaned with chemicals, ensuring durability and ease of maintenance even in harsh environments.

Dimensions



Certifications and Standards

Coded items

	Art.	mm	L mm	L1 mm	Ø mm	T mm	S mm	 g
000960934	96T 2	2	139	52	3	7,0	13,4	13
000960935	96T 2,5	2,5	153	55	4	8,0	13,4	21
000960936	96T 3	3	153	55	4	8,5	13,4	21
000960937	96T 3,5	3,5	179	70	5	9,5	17,8	38
000960938	96T 4	4	179	70	5	10,0	17,8	40
000960939	96T 4,5	4,5	200	84	6	10,5	22	62
000960940	96T 5	5	200	84	6	11,0	22	70
000960941	96T 6	6	221	103	7	12,0	24	97
000960942	96T 7	7	236	106	9	13,0	26	147
000960943	96T 8	8	255	117	10	14,0	26	215
000960945	96T 10	10	285	132	12	16,0	29	338

Scan the QR Code to access the web tab

Specs, media and documentation in one click.

