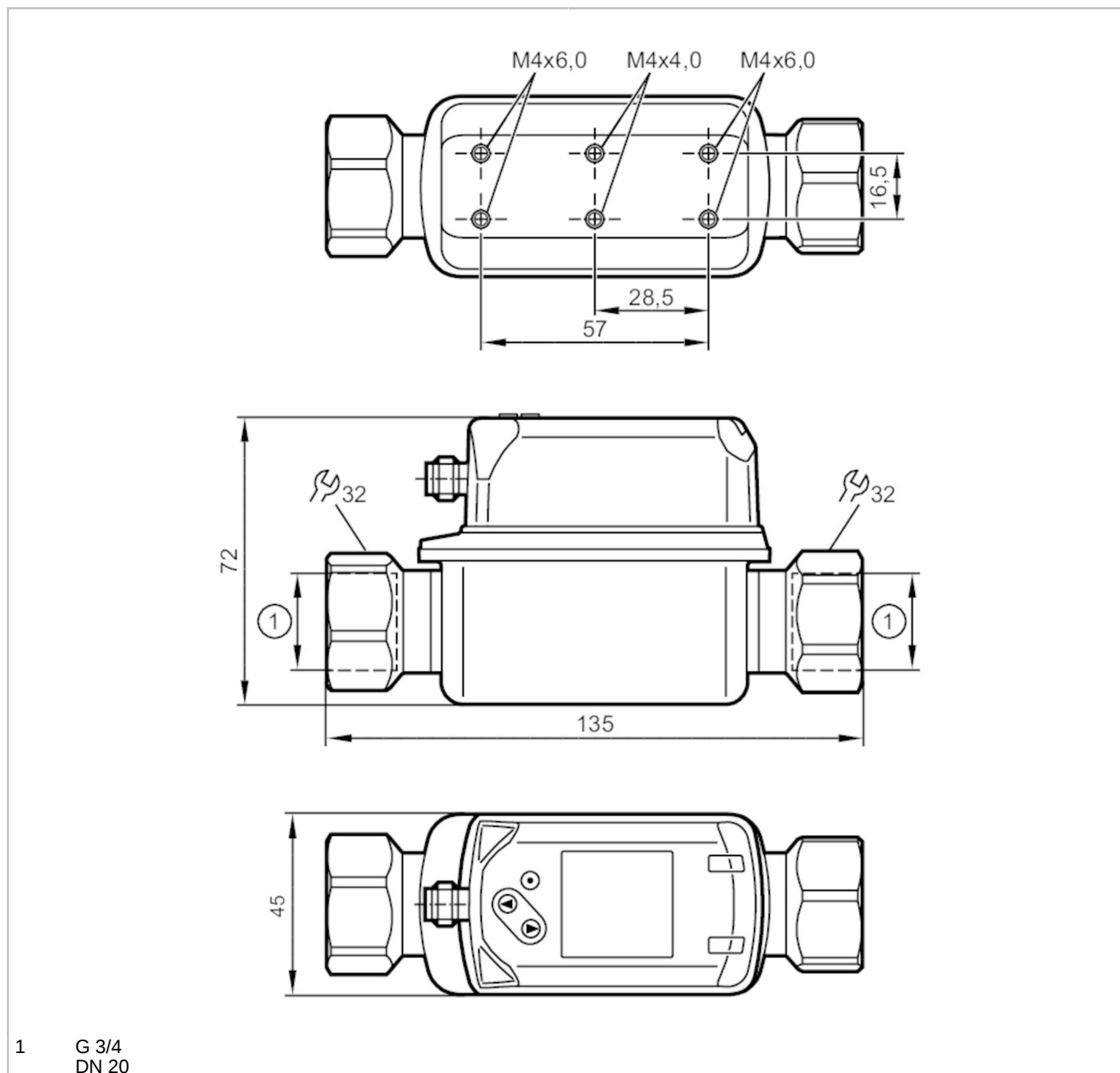


SV7204



Vortex flow meter with display

SVR34XXX50KG/US-100



Product characteristics

Number of inputs and outputs	Number of analogue outputs: 2	
Measuring range	5...100 l/min	0.3...6 m³/h
Process connection	threaded connection G 3/4 internal thread DN20	

Application

Special feature	Gold-plated contacts
Application	for industrial applications
Media	water; glycol solutions; coolants
Medium temperature [°C]	-10...90

SV7204



Vortex flow meter with display

SVR34XXX50KG/US-100

Pressure rating	[bar]	12
Pressure rating	[MPa]	1.2
Note on pressure rating		up to 40 °C
MAWP (for applications according to CRN)	[bar]	4.3

Electrical data

Operating voltage	[V]	18...30 DC
Current consumption	[mA]	< 30
Min. insulation resistance	[MΩ]	100; (500 V DC)
Protection class		III
Reverse polarity protection		yes
Power-on delay time	[s]	< 3
Measuring principle		Vortex

Inputs / outputs

Number of inputs and outputs	Number of analogue outputs: 2
------------------------------	-------------------------------

Outputs

Total number of outputs	2
Output signal	analogue signal
Number of analogue outputs	2
Analogue current output	[mA] 4...20
Max. load	[Ω] 500
Short-circuit protection	yes
Overload protection	yes

Measuring/setting range

Measuring range	5...100 l/min	0.3...6 m³/h
Display range	0...120 l/min	0...7.2 m³/h
Resolution	0.5 l/min	0.02 m³/h
Analogue start point ASP	0...80 l/min	0...4.8 m³/h
Analogue end point AEP	20...100 l/min	1.2...6 m³/h
In steps of	0.5 l/min	0.02 m³/h
Measuring dynamics		1:20

Temperature monitoring

Measuring range	[°C]	-10...90
Display range	[°C]	-30...110
Resolution	[°C]	0.5
Analogue start point	[°C]	-10...70
Analogue end point	[°C]	10...90
In steps of	[°C]	0.5

Accuracy / deviations

Flow monitoring	
Accuracy (in the measuring range)	± 2 % MEW; (water)
Repeatability	± 0,5 % MEW

SV7204



Vortex flow meter with display

SVR34XXX50KG/US-100

Temperature monitoring		
Accuracy	[K]	± 1
Response times		
Flow monitoring		
Response time	[s]	1; (dAP = 0)
Damping process value dAP	[s]	0...5
Temperature monitoring		
Dynamic response T05 / T09	[s]	T09 = 6
Software / programming		
Parameter setting options	Damping for the analogue output dAA; Display unit	
Operating conditions		
Ambient temperature	[°C]	0...60
Note on ambient temperature	medium temperature < 80 °C medium temperature < 90 °C: 0...50 °C	
Storage temperature	[°C]	-20...80
Protection	IP 65; IP 67	
Tests / approvals		
EMC	DIN EN 61000-6-2	
	DIN EN 61000-6-3	
CPA approval	model number	001VO
	accuracy class	-
	maximum allowable error	± 2 % FS
	Q (min)	0,36 m³/h
	Q (t)	1,2 m³/h
	Q (max)	6 m³/h
Shock resistance	DIN EN 60068-2-27	5 g (11 ms)
Vibration resistance	DIN EN 60068-2-6	with water / 10...50 Hz 1 mm with water / 50...2000 Hz 2 g
MTTF	[years]	342
UL approval	UL Approval no.	I002
Pressure Equipment Directive	Sound engineering practice; can be used for group 2 fluids; group 1 fluids on request	
Mechanical data		
Weight	[g]	483.5
Housing	rectangular	
Dimensions	[mm]	135 x 45 x 72
Materials	stainless steel (316L/1.4404); PC; PBT+PC-GF30; PPS; TPE-U	
Materials (wetted parts)	stainless steel (316L/1.4404); ETFE; PA 6T; PPS; FKM	
Tightening torque	[Nm]	30
Process connection	threaded connection G 3/4 internal thread DN20	
Displays / operating elements		
Display	colour display 1,44", 128 x 128 pixels 2 x LED, yellow	
Remarks		
Remarks	MW = measured value MEW = Final value of the measuring range	

SV7204



Vortex flow meter with display

SVR34XXX50KG/US-100

Pack quantity

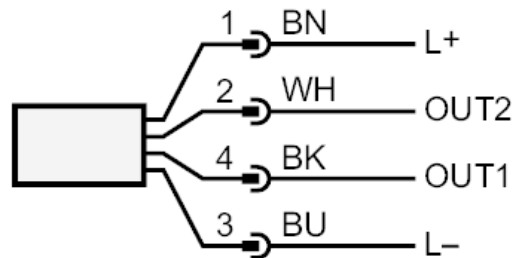
1 pcs.

Electrical connection

Connector: 1 x M12; coding: A; Contacts: gold-plated



Connection



OUT1: analogue output Temperature monitoring
OUT2: analogue output volumetric flow quantity monitoring
colours to DIN EN 60947-5-2

Core colours :

BK = black
BN = brown
BU = blue
WH = white

SV7204

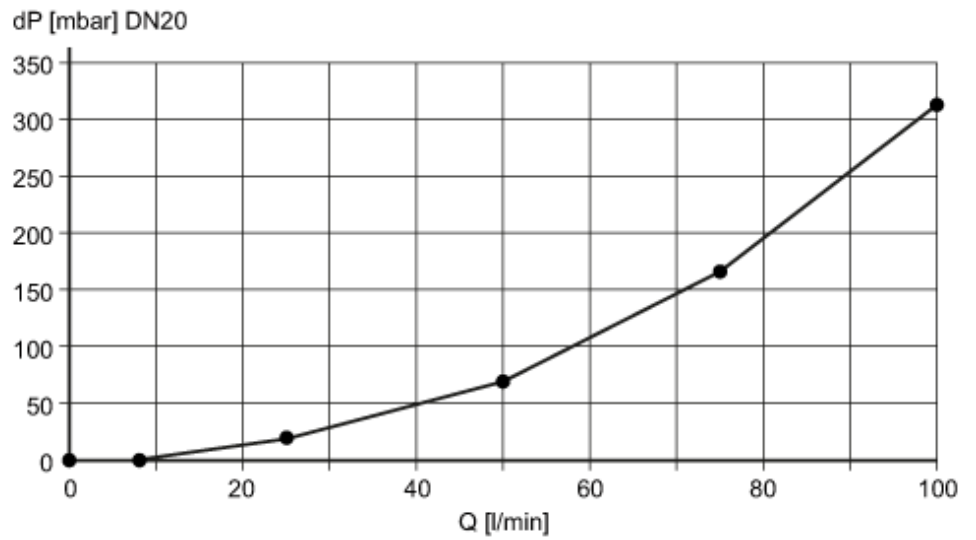


Vortex flow meter with display

SVR34XXX50KG/US-100

Diagrams and graphs

Pressure loss



dP Pressure loss

Q volumetric flow quantity

pressure rating (bar)

