



BETA 605BC/15
Click-type torque wrench,
compact, made from aluminium,
up to 15 Nm



Certifications and Standards

  UNI EN ISO 6789

Features

The Beta 605BC/15, for tightening up to 15 Nm, guarantees precision and reliability in every operation with reduced dimensions.

SMALL DIMENSIONS, GREAT PRECISION

At only 17.5 cm long, the 605BC/15 is the smallest torque wrench in the Beta range, offering an accuracy of $\pm 4\%$ for right-handed tightening.

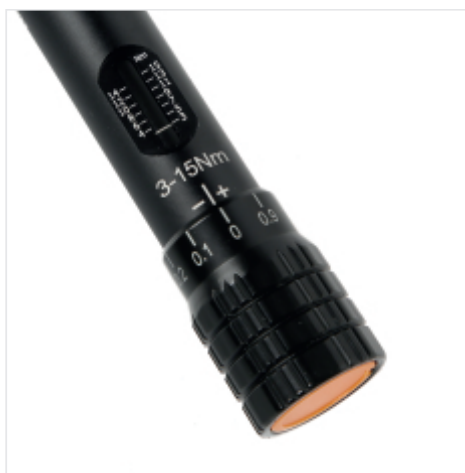
LIGHTWEIGHT AND POCKET-FRIENDLY

The Beta 605BC/15, designed with an aluminium body, offers accurate tightening up to 15 Nm. Its light weight makes it perfect for everyday maintenance, even on bicycles, and its compactness is ideal for carrying in your pocket.



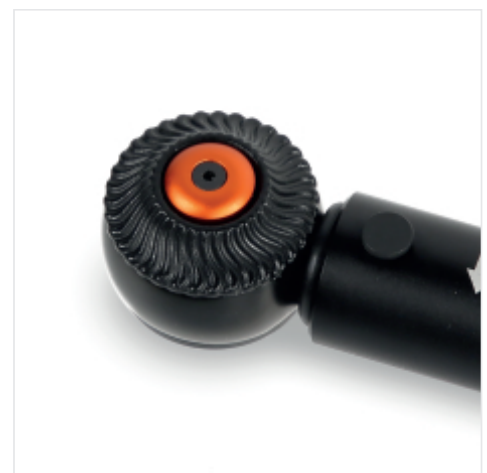
QUALITY DESIGN AND FINISH

The wrench, with an anodised aluminium finish, combines refined aesthetics and functionality, offering an elegant and durable design for every need.



PRECISE SETTING

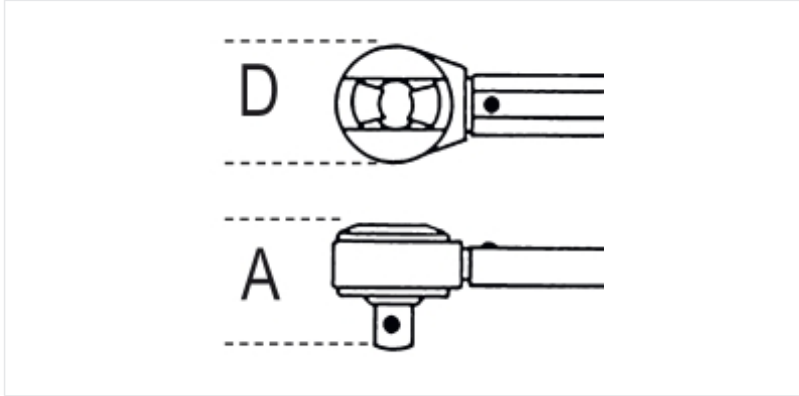
The combination of the nonius on the torque adjustment knob and the graduated scale allows precise setting down to a tenth of a Nm.



QUICK RELEASE BUTTON

With orange anodised aluminium finish, the quick-release socket key combines functionality and style.

Dimensions





Certifications and Standards



 UNI EN ISO 6789

Coded items

	Art.	Nm	Kgfm	lbf.in		D mm	A mm	L mm	 g	
006050015	605BC/15	3÷15	0,3÷1,5	26÷133	1/4	26	29	175	215	0,1

Scan the QR Code to access the web tab
 Specs, media and documentation in one click.

