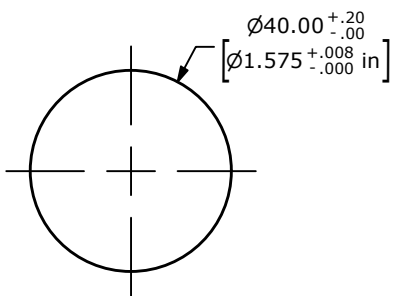


SCHEMATIC

OFF - (ON) / ON - (OFF) - DPDT ILLUMINATED
 () DENOTES MOMENTARY FUNCTION

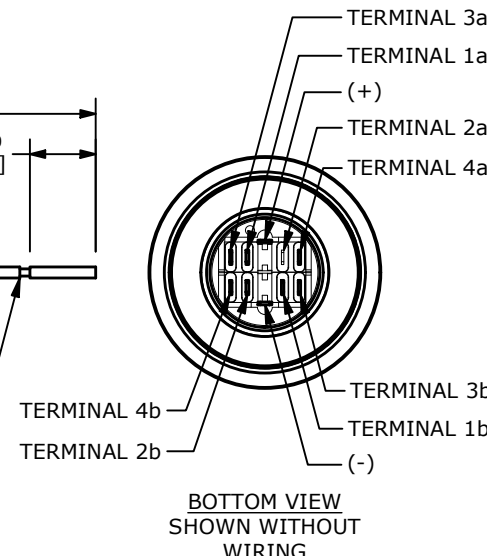
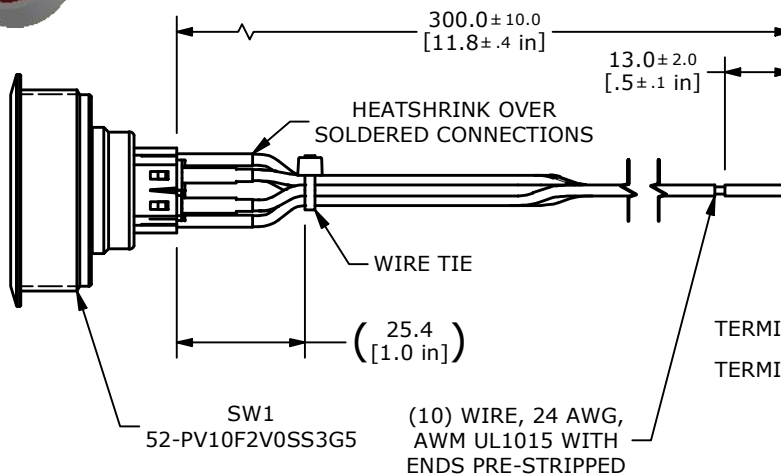
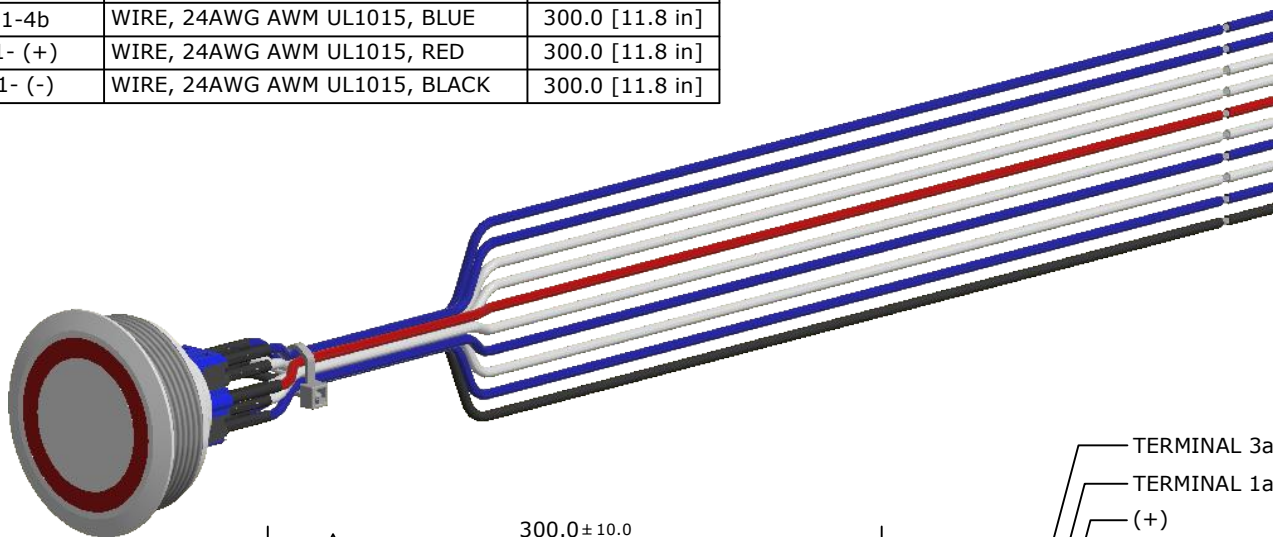


RECOMMENDED PANEL CUTOUT
 MAX. PANEL THICKNESS 5.0 [.20 in]

NOTE:

1. ALL DIMENSIONS IN MM [INCH]
2. GENERAL TOLERANCE: X.X = ± 0.4
X.XX = ± 0.25
3. TERMINAL NOS. FOR REF. ONLY
- ▲ 4. FUNCTION: DPDT
5. RATING: 2A @ 48VDC
6. CONTACT RESISTANCE: 50mΩ MAX. @ 1A 12VDC
7. INSULATION RESISTANCE: 1,000MΩ @ 500VDC
8. DIELECTRIC STRENGTH: 2,000VAC MIN. FOR 1 MINUTE
9. ELECTRICAL LIFE: 50,000 CYCLES
10. OPERATING TEMPERATURE: -20°C TO 55°C
11. INGRESS PROTECTION: IP66
12. SUPPLIED HARDWARE: O-RING AND HEXNUT
13. ▲ DENOTES CRITICAL PARAMETER
- ▲ 14. ILLUMINATION VOLTAGE: 24V
- ▲ 15. ILLUMINATION COLOR: RED (FORWARD), GREEN (REVERSE)

SWITCH	WIRE	LENGTH
SW1-1a	WIRE, 24AWG AWM UL1015, WHITE	300.0 [11.8 in]
SW1-2a	WIRE, 24AWG AWM UL1015, WHITE	300.0 [11.8 in]
SW1-3a	WIRE, 24AWG AWM UL1015, BLUE	300.0 [11.8 in]
SW1-4a	WIRE, 24AWG AWM UL1015, BLUE	300.0 [11.8 in]
SW1-1b	WIRE, 24AWG AWM UL1015, WHITE	300.0 [11.8 in]
SW1-2b	WIRE, 24AWG AWM UL1015, WHITE	300.0 [11.8 in]
SW1-3b	WIRE, 24AWG AWM UL1015, BLUE	300.0 [11.8 in]
SW1-4b	WIRE, 24AWG AWM UL1015, BLUE	300.0 [11.8 in]
SW1- (+)	WIRE, 24AWG AWM UL1015, RED	300.0 [11.8 in]
SW1- (-)	WIRE, 24AWG AWM UL1015, BLACK	300.0 [11.8 in]



REV	ECO NO	DESCRIPTION	DATE	BY
A	ECO-100091	RELEASE	05/11/21	JM

OBJECT ID
100116572

E-SWITCH®

TITLE PV10FWV0SS-3G5

SCALE 2:3	DATE 5/10/2021	DR JM	DWG 52-PV10FWV0SS3G5	REV A
-----------	----------------	-------	----------------------	-------