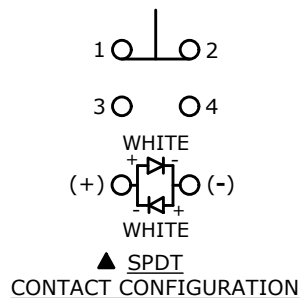


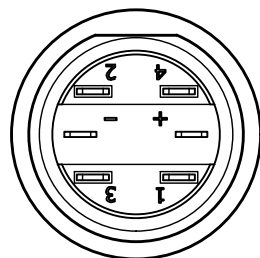
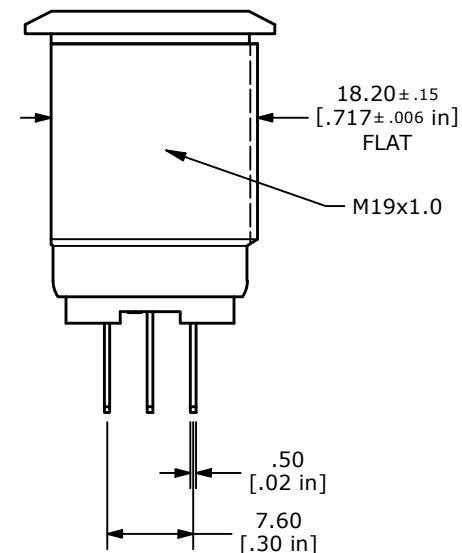
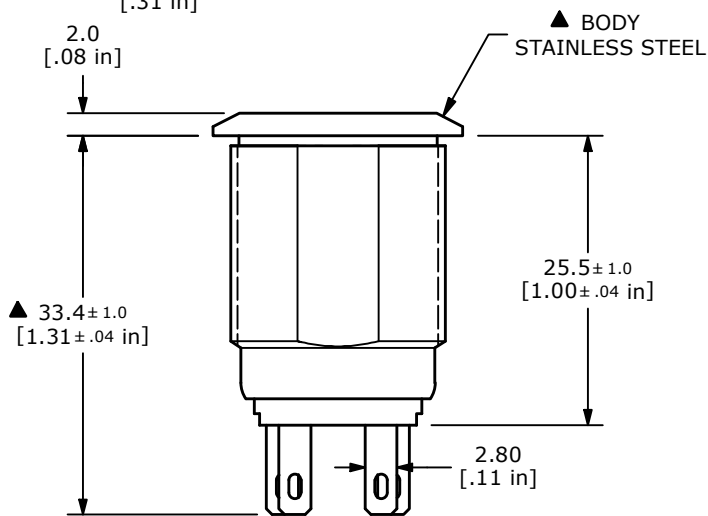
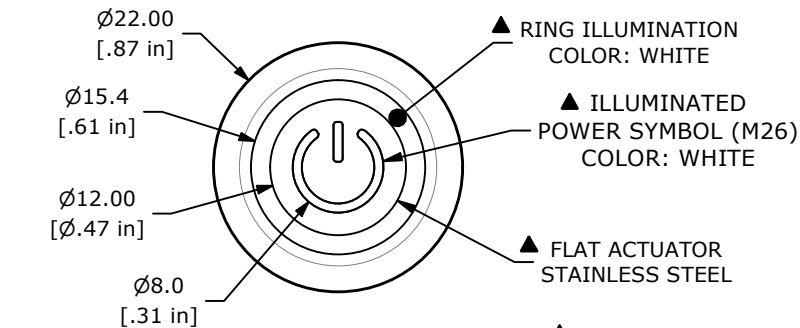
RECOMMENDED PANEL CUTOUT
MAX. PANEL THICKNESS: 11mm

SWITCH FUNCTION	
POS. 1	POS. 2
1-2 ON	1-2 (OFF)
3-4 OFF	3-4 (ON)

() = MOMENTARY



- NOTE:
- ALL DIMENSIONS IN MM [INCH]
 - GENERAL TOLERANCE: X.X = ± 0.4
X.XX = ± 0.25
 - TERMINAL NUMBERS FOR REF ONLY
 - CONTACT MATERIAL: SILVER
 - RATING: 2A 24VDC
 - ELECTRIC LIFE: 50,000 MAKE-AND-BREAK CYCLES AT FULL LOAD.
 - INSULATION RESISTANCE: 1,000 M Ω MIN.
 - DIELECTRIC STRENGTH: 2,000 VAC MIN. FOR 1 MINUTE
 - CONTACT RESISTANCE: 50m Ω MAX. @ 1A 12VDC
 - OPERATING TEMP.: -20°C to 55°C
 - TRAVEL: 2.8mm
 - ▲ DENOTES CRITICAL PARAMETER
 - LAMP VOLTAGE: 12V
 - INGRESS PROTECTION: IP65
 - HARDWARE SUPPLIED: O-RING AND HEXNUT



REV	PCR NO	DESCRIPTION	DATE	BY
D	24065	UPDATE TERMINALS	10/15/19	MW
C	23606	UPDATED RATING TO 2A @ 24VDC	10/11/18	MJR
B	22852	align terminals per part	5/16/17	MW



OBJECT ID
000002697

TITLE PV4F2Y0SS-304-M26				
SCALE	DATE	DR	DWG	REV
3:2	5/10/2017	MW	52-PV4F2Y0SS304M26	D